

# Product sheet

## Miniature connector



Product	<b>Contacts: 5, male panel mount connector, green</b>	Area	<b>Snap-in IP67 Series 720</b>
Pole	<b>5</b>	Article number	<b>99 9115 70 05</b>

Illustration	Scale drawing	Contact Arrangement																		
		<table border="1" style="margin-left: auto; margin-right: auto;"> <thead> <tr> <th></th> <th>X</th> <th>Y</th> </tr> </thead> <tbody> <tr> <td>1</td> <td>-1,82</td> <td>-2,51</td> </tr> <tr> <td>2</td> <td>1,82</td> <td>-2,51</td> </tr> <tr> <td>3</td> <td>2,95</td> <td>0,96</td> </tr> <tr> <td>4</td> <td>0,00</td> <td>3,10</td> </tr> <tr> <td>5</td> <td>-2,95</td> <td>0,96</td> </tr> </tbody> </table>		X	Y	1	-1,82	-2,51	2	1,82	-2,51	3	2,95	0,96	4	0,00	3,10	5	-2,95	0,96
	X	Y																		
1	-1,82	-2,51																		
2	1,82	-2,51																		
3	2,95	0,96																		
4	0,00	3,10																		
5	-2,95	0,96																		

You can find the item description and assembly instruction on the next page.

## Technical data

### Common values

Connector Design	Male panel mount connector
Connector locking system	Snap
Termination	Solder
Wire gauge (mm)	0.75 mm <sup>2</sup>
Wire gauge (AWG)	20
Cable outlet	-
Upper temperature	85 °C
Lower temperature	-25 °C

### Electrical values

Rated voltage	125 V
Rated impulse voltage	1500 V
Pollution degree	2
Overvoltage category	II
Material group	II
Rated current (40°C)	5 A
Volume resistivity	≤ 3 mΩ
EMV compliance	not shielded
Degree of protection	IP67
Mechanical operation	> 500 mating cycles

### Material

Material of contact	CuZn (Brass)
Contact plating	Au (Gold)
Material of contact body	PA (UL 94 V-0)
Material of housing	PA (UL 94 V-0)

Contacts: 5, male panel mount connector, green

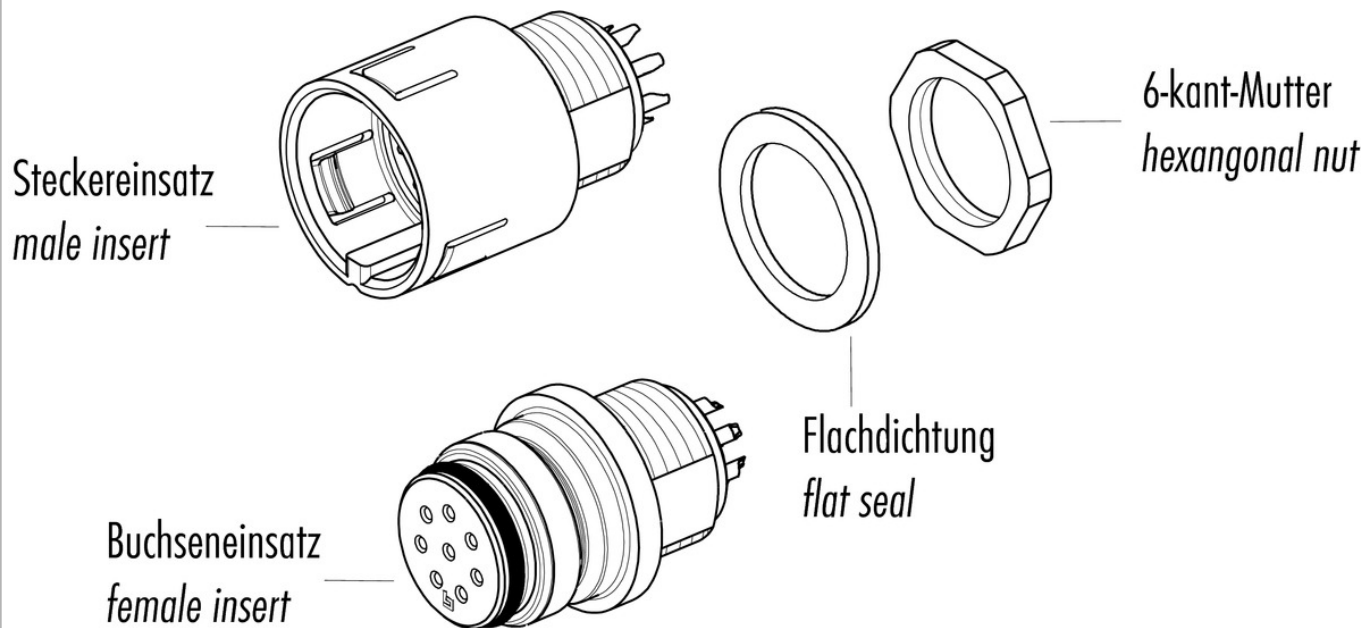
Product  
Pole

Contacts: 5, male panel mount connector,  
green  
5

Area  
Article number

Snap-in IP67 Series 720  
99 9115 70 05

### Item description



### Installation instructions / Mounting cutout

