

Product data sheet

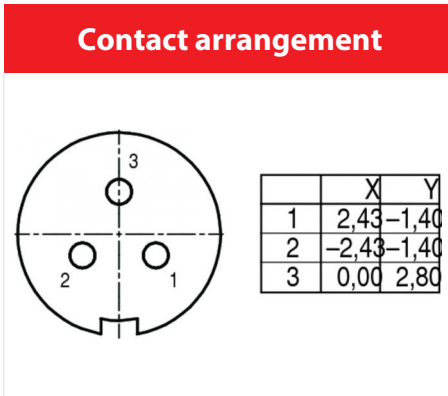
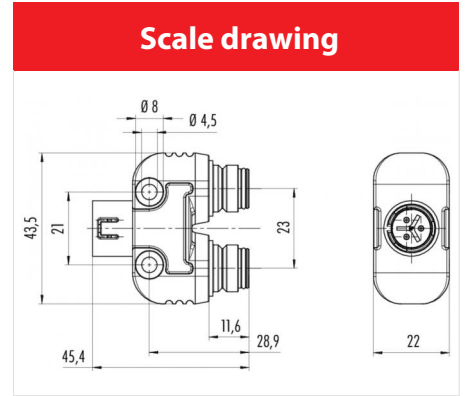
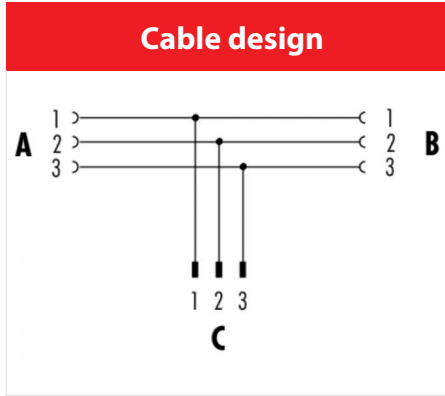
Miniature connectors



Product description **Snap-In IP67 double distributor box, Contacts: 3, Shielding is not possible, IP67**

Area **Snap-In IP67 series 720**

Order number **79 9179 000 03**



Technical data

General values

Connector design double distributor box

Connector locking system snap

Upper limit temperature 85 °C

Lower limit temperature - 25 °C

Customs tariff number 85444290

Electrical values

Rated current (40 °C) 7 A

Rated voltage 250 V

Rated impulse voltage 2500 V

Pollution degree 2

Overvoltage category II

Insulating material group II

EMC compliance Shielding is not possible

Degree of protection IP67

Mechanical operation > 500 Mating cycles

Material

Contact material Pin: CuZn (brass) / Socket: CuSn (bronze)

Contact plating Au (gold)

Contact body material PA

Housing material PA

Product description **Snap-In IP67 double distributor box, Contacts: 3, Shielding is not possible, IP67**

Area **Snap-In IP67 series 720**
Order number **79 9179 000 03**

Security notices

The connector must not be connected or separated under load. Non-observance and incorrect use can result in personal injury.

The connectors are designed for use in plant, control system and electrical equipment. The end user is responsible for checking whether the connectors are suitable for use in other applications.

Connectors with degree of protection IP 67 and IP 68 are not suitable for use under water. When used outdoors, the connectors must be separately protected against corrosion. For further information about IP degrees of protection refer to 'Technical support' in the Download Centre.