

Product	Contacts: 2+PE, cable plug connector, thread 1/2" UNF with UL approval	Area	M12-US Series 815
Pole	2+PE	Article number	99 2429 14 03

Illustration	Scale drawing	Contact Arrangement												
		<table border="1"> <thead> <tr> <th></th> <th>X</th> <th>Y</th> </tr> </thead> <tbody> <tr> <td>1</td> <td>0,00</td> <td>1,90</td> </tr> <tr> <td>2</td> <td>-1,65</td> <td>-0,95</td> </tr> <tr> <td>3</td> <td>1,65</td> <td>-0,95</td> </tr> </tbody> </table>		X	Y	1	0,00	1,90	2	-1,65	-0,95	3	1,65	-0,95
	X	Y												
1	0,00	1,90												
2	-1,65	-0,95												
3	1,65	-0,95												

You can find the item description and assembly instruction on the next page.

Technical data

Common values

Connector Design	Cable plug connector
Connector locking system	1/2" UNF
Termination	Screwing
Wire gauge (mm)	0.75 mm ²
Wire gauge (AWG)	18
Cable outlet	4 - 6 mm
Upper temperature	85 °C
Lower temperature	-25 °C

Cable data

material housing	-
Insulation single lead	-
Single lead structure	-
Conductor resistance	-
Bending radius cable fixed	-
Bending radius cable movable	-

Electrical values

Rated voltage	250 V
Rated impulse voltage	2500 V
Pollution degree	3
Overvoltage category	II
Material group	II
Rated current (40°C)	4 A
Volume resistivity	≤ 8 mΩ
EMV compliance	not shielded
Degree of protection	IP67
Mechanical operation	> 50 mating cycles

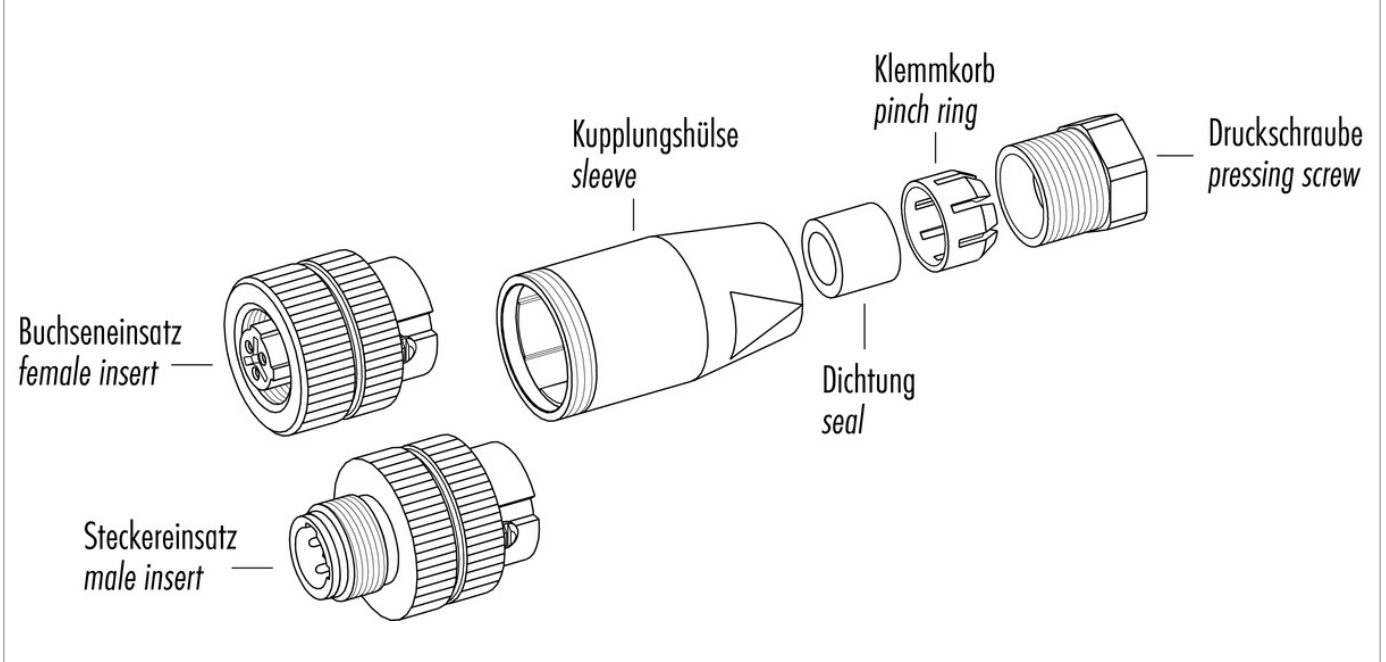
Material

Material of contact	CuZn (Brass)
Contact plating	CuSnZn (Optaloy)
Material of contact body	PA
Material of housing	PA

cable outlet: 4 - 6 mm, Contacts: 2+PE, cable plug connector 1/2" UNF with UL approval

Product	Contacts: 2+PE, cable plug connector, thread ½" UNF with UL approval	Area	M12-US Series 815
Pole	2+PE	Article number	99 2429 14 03

Item description



Installation instructions / Mounting cutout

