

Product	<b>Contacts: 4, Male angled connector, shieldable, screw terminal connection, static ring version with die-cast threaded ring, with UL approval</b>	Area	<b>M12-B Series 715</b>
Pole	<b>4</b>	Article number	<b>99 1429 820 04</b>

Illustration	Scale drawing	Contact Arrangement															
		<table border="1" style="margin-left: auto; margin-right: auto;"> <thead> <tr> <th></th> <th>X</th> <th>Y</th> </tr> </thead> <tbody> <tr> <td>1</td> <td>2,50</td> <td>0,00</td> </tr> <tr> <td>2</td> <td>0,00</td> <td>2,50</td> </tr> <tr> <td>3</td> <td>-2,50</td> <td>0,00</td> </tr> <tr> <td>4</td> <td>0,00</td> <td>-2,50</td> </tr> </tbody> </table>		X	Y	1	2,50	0,00	2	0,00	2,50	3	-2,50	0,00	4	0,00	-2,50
	X	Y															
1	2,50	0,00															
2	0,00	2,50															
3	-2,50	0,00															
4	0,00	-2,50															

You can find the item description and assembly instruction on the next page.

## Technical data

### Common values

Connector Design	Male angled connector
Connector locking system	screw
Termination	Screwing
Wire gauge (mm)	0.75 mm <sup>2</sup>
Wire gauge (AWG)	18
Cable outlet	6 - 8 mm
Upper temperature	85 °C
Lower temperature	-40 °C

### Cable data

material housing	-
Insulation single lead	-
Single lead structure	-
Conductor resistance	-
Bending radius cable fixed	-
Bending radius cable movable	-

### Electrical values

Rated voltage	250 V
Rated impulse voltage	2500 V
Pollution degree	3
Overvoltage category	II
Material group	II
Rated current (40°C)	4 A
Volume resistivity	≤ 3 mΩ
EMV compliance	shielded
Degree of protection	IP67
Mechanical operation	> 100 mating cycles

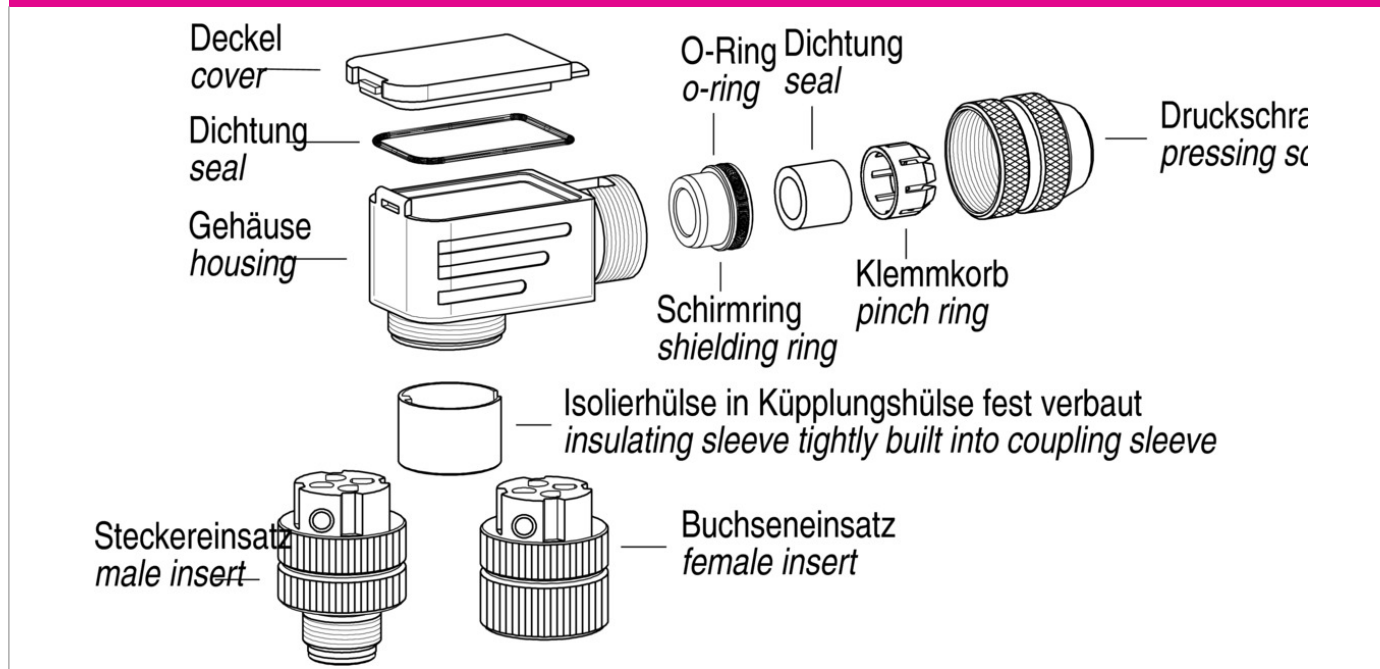
### Material

Material of contact	CuZn (Brass)
Contact plating	Au (Gold)
Material of contact body	PA
Material of housing	PA, nickel-plated zinc die casting/ PA

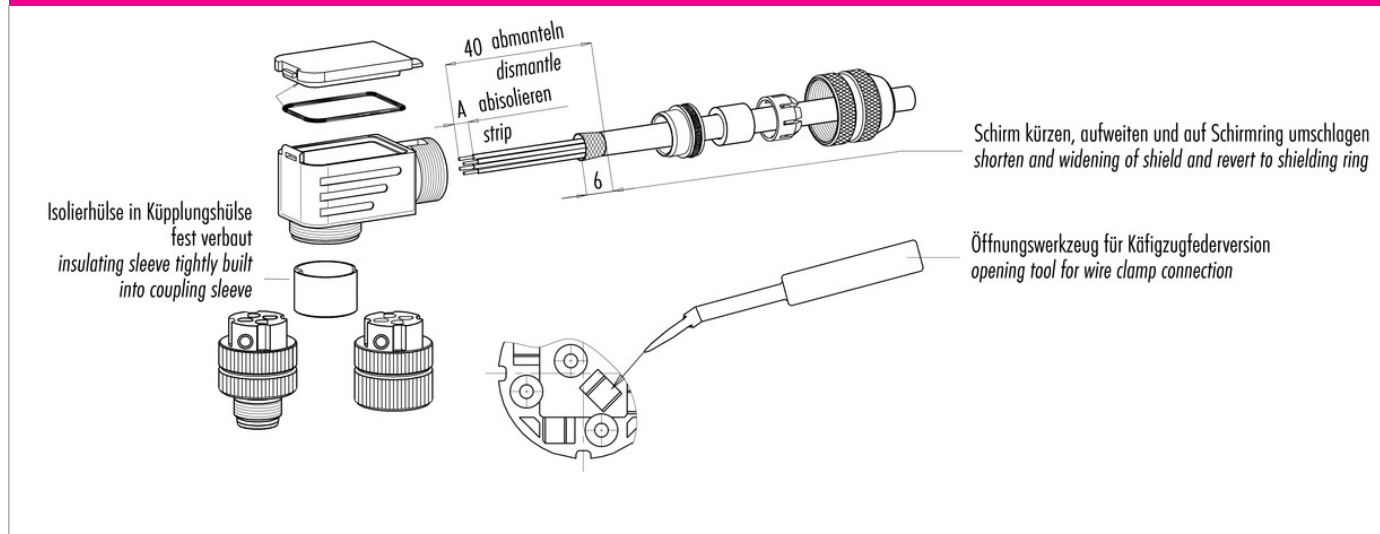
cable outlet: 6 - 8 mm, Contacts: 4, Male angled connector, shieldable, screw terminal connection, with UL approval

Product	<b>Contacts: 4, Male angled connector, shieldable, screw terminal connection, static ring version with die-cast threaded ring, with UL approval</b>	Area Article number	<b>M12-B Series 715 99 1429 820 04</b>
Pole	<b>4</b>		

Item description



Installation instructions / Mounting cutout



	Schraubklemmversion screw connection	Käfigzugfederverision wire clamp connection
Maß A/mm measure A/mm	<b>5</b>	<b>7</b>