

# Product sheet

## Miniature connector

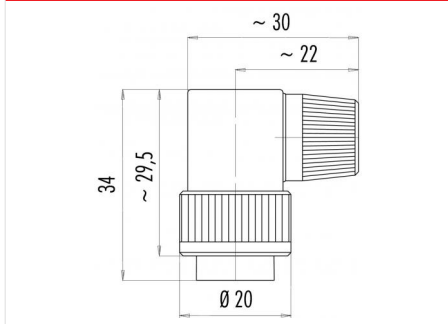


Product	<b>Contacts: 8 DIN, male angled connector, cable outlet 6 - 8 mm</b>	Area	<b>Bayonet IP40 Series 678</b>
Pole	<b>8 DIN</b>	Article number	<b>99 0645 72 08</b>

### Illustration



### Scale drawing



### Contact Arrangement

	X	Y
1	3,50	0,00
2	0,00	3,50
3	-3,50	0,00
4	2,47	2,47
5	-2,47	2,47
6	2,47	-2,47
7	-2,47	-2,47
8	0,00	-0,70

You can find the item description on the next page.

## Technical data

### Common values

Connector Design	Male angled connector
Connector locking system	Bayonet
Termination	Solder
Wire gauge (mm)	0.75 mm <sup>2</sup>
Wire gauge (AWG)	20
Cable outlet	6 - 8 mm
Upper temperature	85 °C
Lower temperature	-40 °C

### Electrical values

Rated voltage	60 V
Rated impulse voltage	500 V
Pollution degree	1
Overvoltage category	I
Material group	III
Rated current (40°C)	5 A
Volume resistivity	≤ 5 mΩ
EMV compliance	not shielded
Degree of protection	IP40
Mechanical operation	> 500 mating cycles

### Material

Material of contact	CuZn (Brass)
Contact plating	Ag (Silver)
Material of contact body	PBT (UL 94 V-0)
Material of housing	PA (UL 94 V-0)

Contacts: 8 DIN, male angled connector, cable outlet 6 - 8 mm

**Product sheet**  
**Miniature connector**



Product	<b>Contacts: 8 DIN, male angled connector, cable outlet 6 - 8 mm</b>	Area	<b>Bayonet IP40 Series 678</b>
Pole	<b>8 DIN</b>	Article number	<b>99 0645 72 08</b>

**Item description**

