

Product	<b>Contacts: 3, Female panel mount connector, lightgrey, solder termination</b>
Area	<b>Snap-in IP67, miniature Series</b>
Article number	<b>99 9108 400 03</b>

Illustration	Scale drawing	Contact Arrangement
		<p>1 weiß/white 2 braun/brown 3 grün/green</p>

**You can find the item description and assembly instruction on the next page.**

## Technical data

### General features

Connector Design	female panel mount connector
Connector locking system	snap
Termination	moulded on cable
Wire gauge (mm)	0,75 mm <sup>2</sup>
Wire gauge (AWG)	20
Upper temperature	70 °C
Lower temperature	-40 °C

### Electrical parameters

Rated voltage	250 V
Rated impulse voltage	2500 V
Pollution degree	2
Overvoltage category	II
Material group	II
Rated current (40°C)	7 A
Volume resistivity	≤ 3 mΩ
EMV compliance	not shielded
Degree of protection	IP67

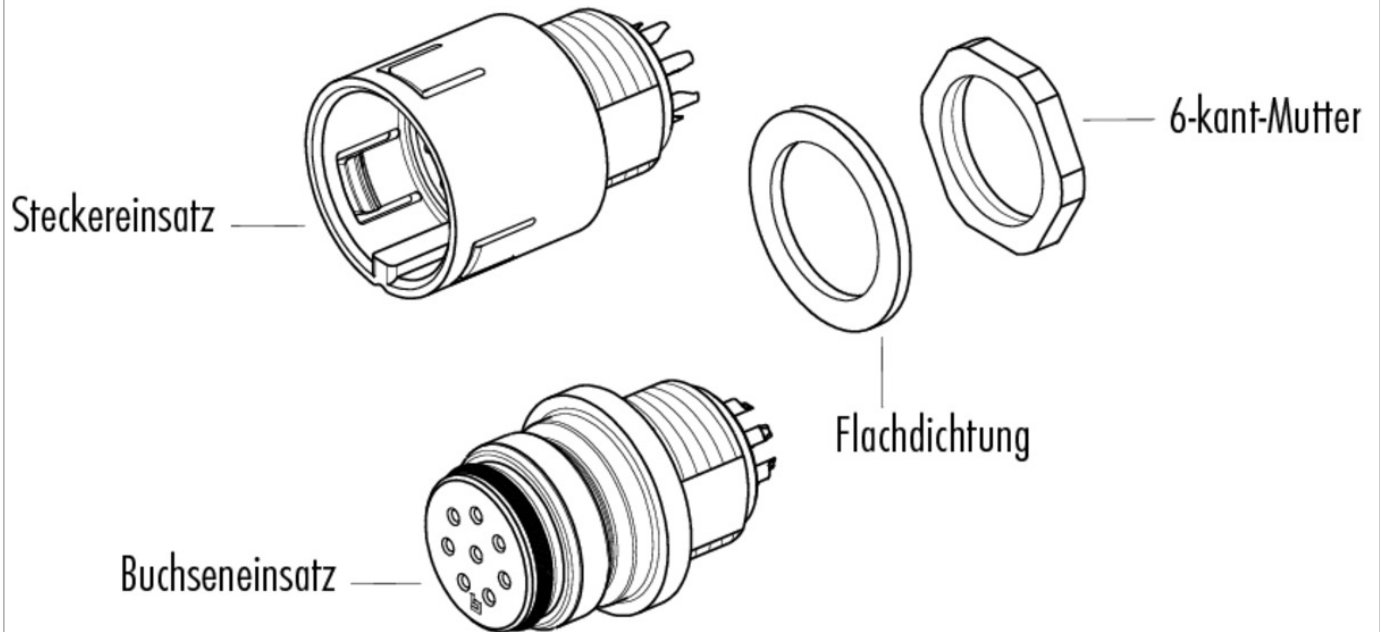
### Material

Material of contact	CuSn (Bronze)
Contact plating	Au (gold)
Material of contact body	PA (UL 94 V-0)

Product **Contacts: 3, Female panel mount connector, lightgrey, solder termination**

Area **Snap-in IP67, miniature Series**  
Article number **99 9108 400 03**

Item description



Installation instructions / Mounting cutout

