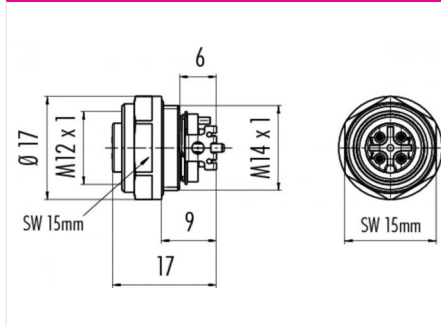


Product **Female panel mount connector SMT, with housing, shieldable**
 Area **M12-D, M12-X Series 825/876 D-coding**
 Article number **99 3732 401 04**

Illustration



Scale drawing



Technical data

General features

Connector Design	female panel mount connector
Termination	SMT
Upper temperature	-40 °C
Lower temperature	85 °C

Electrical parameters

Rated voltage	250 V
Rated impulse voltage	2500 V
Rated current (40°C)	4A

Material

Material of contact	CuZn(Messing)
Contact plating	Au (gold)
Material of contact body	LCP