
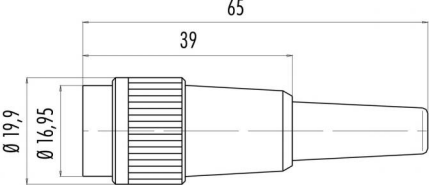
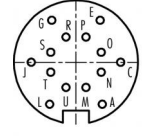


Product sheet

Miniature connector



Product	Contacts: 14, female cable connector, cable outlet 4 – 6 mm	Area	Bayonet IP40 Series 678
Pole	14	Article number	99 0654 00 14

Illustration	Scale drawing	Contact Arrangement																																													
		 <table border="1" style="margin-left: auto; margin-right: auto;"> <thead> <tr> <th></th> <th>X</th> <th>Y</th> </tr> </thead> <tbody> <tr><td>A</td><td>2,50</td><td>-4,00</td></tr> <tr><td>C</td><td>4,25</td><td>0,00</td></tr> <tr><td>E</td><td>2,30</td><td>4,00</td></tr> <tr><td>G</td><td>-2,30</td><td>4,00</td></tr> <tr><td>J</td><td>-4,25</td><td>0,00</td></tr> <tr><td>L</td><td>-2,50</td><td>4,00</td></tr> <tr><td>M</td><td>0,95</td><td>-2,40</td></tr> <tr><td>N</td><td>2,40</td><td>-0,95</td></tr> <tr><td>O</td><td>2,40</td><td>0,95</td></tr> <tr><td>P</td><td>0,95</td><td>2,40</td></tr> <tr><td>R</td><td>-0,95</td><td>2,40</td></tr> <tr><td>S</td><td>-2,40</td><td>0,95</td></tr> <tr><td>T</td><td>-2,40</td><td>-0,95</td></tr> <tr><td>U</td><td>-0,95</td><td>-2,40</td></tr> </tbody> </table>		X	Y	A	2,50	-4,00	C	4,25	0,00	E	2,30	4,00	G	-2,30	4,00	J	-4,25	0,00	L	-2,50	4,00	M	0,95	-2,40	N	2,40	-0,95	O	2,40	0,95	P	0,95	2,40	R	-0,95	2,40	S	-2,40	0,95	T	-2,40	-0,95	U	-0,95	-2,40
	X	Y																																													
A	2,50	-4,00																																													
C	4,25	0,00																																													
E	2,30	4,00																																													
G	-2,30	4,00																																													
J	-4,25	0,00																																													
L	-2,50	4,00																																													
M	0,95	-2,40																																													
N	2,40	-0,95																																													
O	2,40	0,95																																													
P	0,95	2,40																																													
R	-0,95	2,40																																													
S	-2,40	0,95																																													
T	-2,40	-0,95																																													
U	-0,95	-2,40																																													

You can find the item description on the next page.

Technical data

Common values

Connector Design	Female cable connector
Connector locking system	Bayonet
Termination	Solder
Wire gauge (mm)	0.25 mm ²
Wire gauge (AWG)	24
Cable outlet	4 - 6 mm
Upper temperature	85 °C
Lower temperature	-40 °C

Electrical values

Rated voltage	60 V
Rated impulse voltage	500 V
Pollution degree	1
Overvoltage category	I
Material group	III
Rated current (40°C)	3 A
Volume resistivity	≤ 3 mΩ
EMV compliance	not shielded
Degree of protection	IP40
Mechanical operation	> 500 mating cycles

Material

Material of contact	CuSn (Bronze)
Contact plating	Au (Gold)
Material of contact body	PBT (UL 94 V-0)
Material of housing	PA (UL 94 V-0)

Contacts: 14, female cable connector, cable outlet 4 – 6 mm

Product	Contacts: 14, female cable connector, cable outlet 4 – 6 mm	Area	Bayonet IP40 Series 678
Pole	14	Article number	99 0654 00 14

Item description

