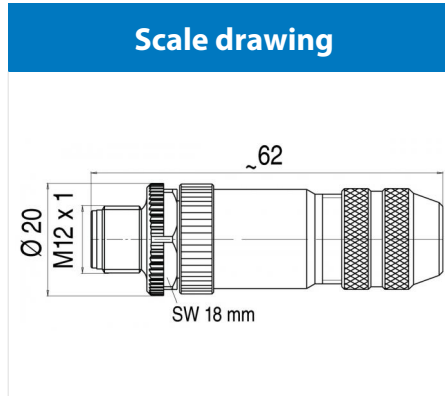
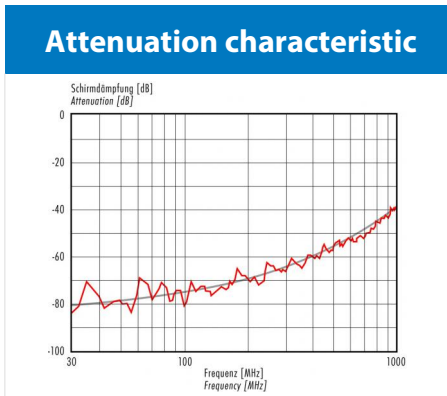


Product	<b>Contacts: 12, Cable plug connector, shieldable, solder connection, with offset soldering surfaces, static ring version, with UL approval</b>	Area Article number	<b>M12-A Series 713 99 1491 812 12</b>
Pole	<b>12</b>		



### Contact Arrangement

	X	Y
1	2,80	0,78
2	0,78	2,80
3	-1,09	2,69
4	-2,51	1,46
5	-2,88	-0,37
6	-2,05	-2,05
7	-0,37	-2,88
8	1,46	-2,51
9	2,69	-1,09
10	0,78	0,78
11	-1,06	0,29
12	0,29	-1,06



**You can find the item description and assembly instruction on the next page.**

## Technical data

### Common values

Connector Design	Cable plug connector
Connector locking system	screw
Termination	Solder
Wire gauge (mm)	0.25 mm <sup>2</sup>
Wire gauge (AWG)	24
Cable outlet	6 - 8 mm
Upper temperature	85 °C
Lower temperature	-40 °C

### Electrical values

Rated voltage	30 V
Rated impulse voltage	500 V
Pollution degree	3
Overvoltage category	II
Material group	II
Rated current (40°C)	2 A
Volume resistivity	≤ 3 mΩ
EMV compliance	geschirmt
Degree of protection	IP67
Mechanical operation	> 100 mating cycles

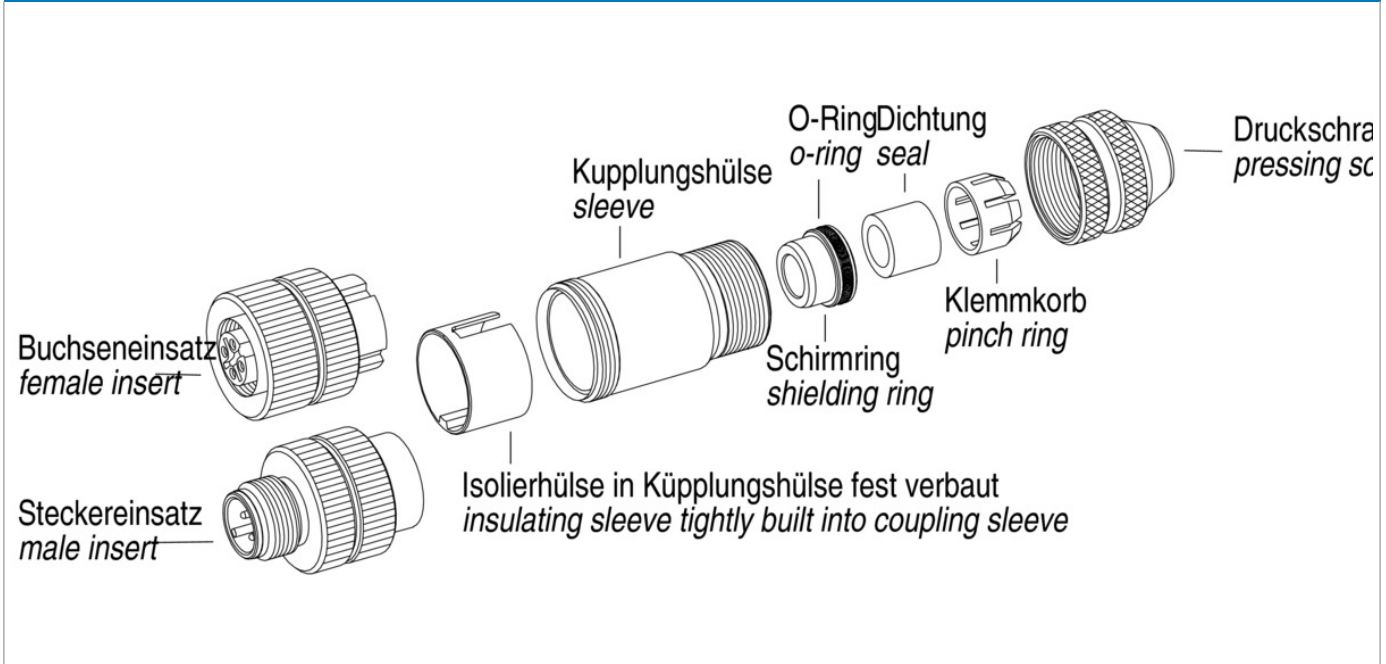
### Material

Material of contact	CuZn (Brass)
Contact plating	Au (Gold)
Material of contact body	PA
Material of housing	Nickel-plated zinc die casting

**Contacts: 12, Cable outlet: 6-8 mm, cable plug connector, shieldable, solder connection, with offset soldering surfaces, static ring version with die-cast threaded ring, with UL approval**

Product	<b>Contacts: 12, Cable plug connector, shieldable, solder connection, with offset soldering surfaces, static ring version, with UL approval</b>	Area	<b>M12-A Series 713</b>
Pole	<b>12</b>	Article number	<b>99 1491 812 12</b>

### Item description



### Installation instructions / Mounting cutout

