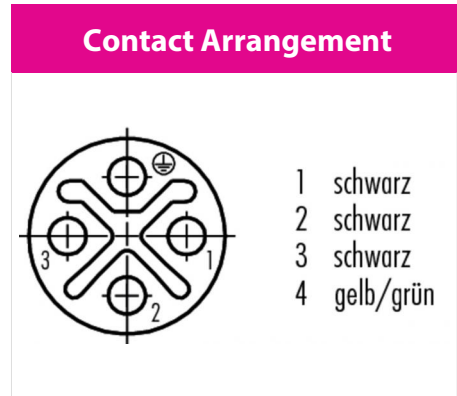
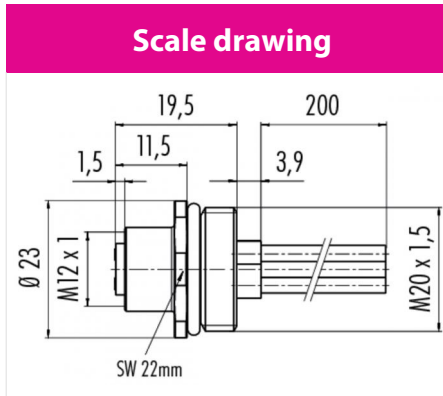


Product	Polzahl: 3+PE, Flanschstecker, Power, S-Kodierung, mit Litzen, Befestigungsgewinde M20x1,5
Area	M12-S Series 814
Article number	09 0692 642 04



Technical data

General features

Connector Design	male panel mount connector
Connector locking system	bolted
Termination	Strands
Wire gauge (mm)	max. 1,5 mm ²
Wire gauge (AWG)	16
Cable outlet	-
Upper temperature	85 °C
Lower temperature	-40 °C

Electrical parameters

Rated voltage	630 V
Rated impulse voltage	6000 V
Pollution degree	3
Overvoltage category	III
Material group	III
Rated current (40°C)	12 A
Volume resistivity	≤ 3 mΩ
Degree of protection	IP67
Mechanical operation	> 50 Mating cycles

Cable data

Approval 1	UL
------------	----

Material

Material of contact	CuZn (Messing)
Contact plating	Au (gold)
Material of contact body	PA