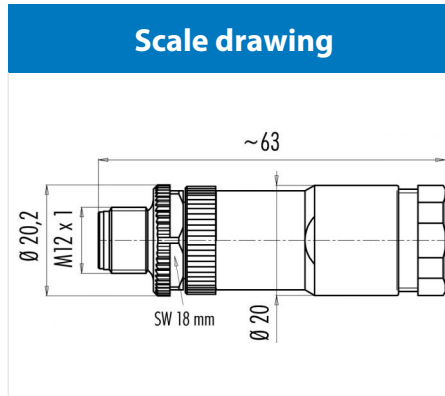


Product	<b>Contacts: 8, Dual plug connector, metal lock, screw terminal connection, Optimal contact plating, with UL approval</b>	Area	<b>M12-A Series 713</b>
Pole	<b>8</b>	Article number	<b>99 0487 186 08</b>



**Contact Arrangement**

	X	Y
1	2,69	0,57
2	0,57	2,69
3	-1,66	2,20
4	-2,75	0,19
5	-1,94	-1,94
6	0,19	-2,74
7	2,20	-1,65
8	0,00	0,00

You can find the item description and assembly instruction on the next page.

## Technical data

### Common values

Connector Design	Cable plug connector
Connector locking system	screw
Termination	Screwing
Wire gauge (mm)	0.50 mm <sup>2</sup>
Wire gauge (AWG)	20
Upper temperature	85 °C
Lower temperature	-40 °C

### Electrical values

Rated voltage	60 V
Rated impulse voltage	800 V
Pollution degree	3
Overvoltage category	II
Material group	III
Rated current (40°C)	2 A
Volume resistivity	≤ 8 mΩ
EMV compliance	not shielded
Degree of protection	IP67
Mechanical operation	> 50 mating cycles

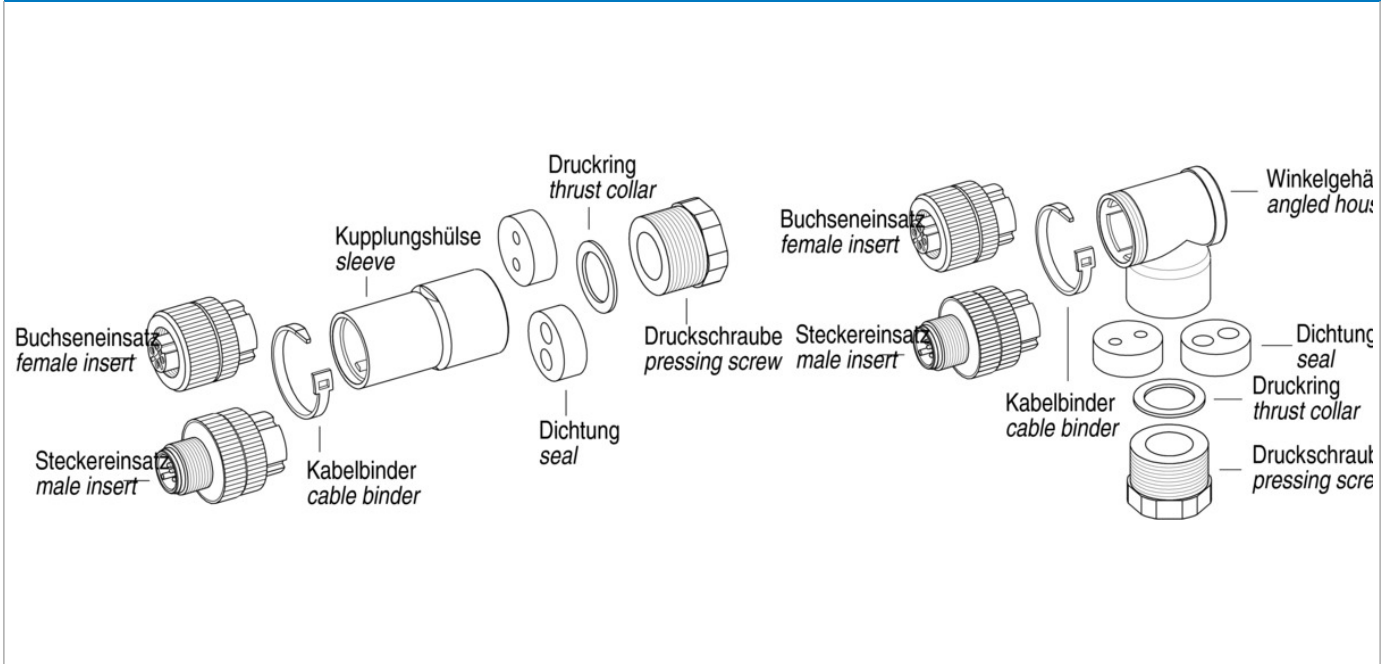
### Material

Material of contact	CuZn (Brass)
Contact plating	CuSnZn (Optaloy)
Material of contact body	PA
Material of housing	PA

Contacts: 8, Cable outlet: 2 Cables Ø 2.1-3 mm or Ø 4-5 mm, dual plug connector, metal lock, screw terminal connection, Optimal contact plating, with UL approval

Product	<b>Contacts: 8, Dual plug connector, metal lock, screw terminal connection, Optimal contact plating, with UL approval</b>	Area	<b>M12-A Series 713</b>
Pole	<b>8</b>	Article number	<b>99 0487 186 08</b>

### Item description



### Installation instructions / Mounting cutout

