

Product sheet

Miniature connector

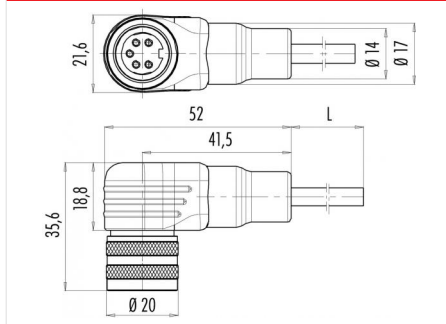


Product	Contacts: 12, Female angled connector, shielded	Area	M16 IP67 Series 425
Pole	12	Article number	79 6330 200 12

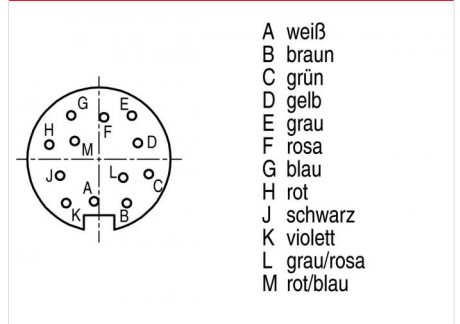
Illustration



Scale drawing



Contact Arrangement



Technical data

Common values

Connector Design	Female angled connector
Connector locking system	screw
Termination	solder, injection-moulded cable
Wire gauge (mm)	0.25 mm ²
Wire gauge (AWG)	24
Cable outlet	-
Upper temperature	70 °C
Lower temperature	-25 °C

Cable data

material housing	PUR
Insulation single lead	PE
Single lead structure	14x0.15 mm
Cable sheath Ø	7.8
Bending radius cable fixed	78 mm
Bending radius cable movable	117 mm
Cable diameter	7.8

Electrical values

Rated voltage	60 V
Rated impulse voltage	500 V
Pollution degree	1
Overvoltage category	I
Material group	III
Rated current (40°C)	3 A
Volume resistivity	≤ 3 mΩ
EMV compliance	shielded
Degree of protection	IP67
Mechanical operation	> 500 mating cycles

Material

Material of contact	CuSn (Bronze)
Contact plating	Au (Gold)
Material of contact body	PBT (UL 94 V-0)
Material of housing	PUR

Contacts: 12, Cable: 12 x 0.25 mm², female angled connector, shielded