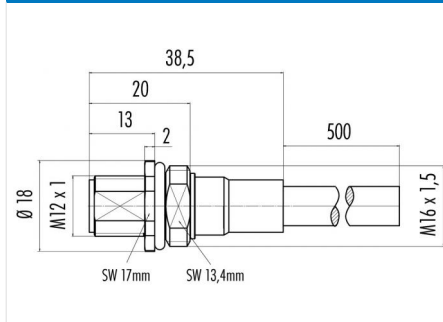


Product	Contacts 5, male panel mount connector, M16, with shielded PUR cable	Area	M12-A Series 713/763
Pole	5	Article number	70 3441 785 05

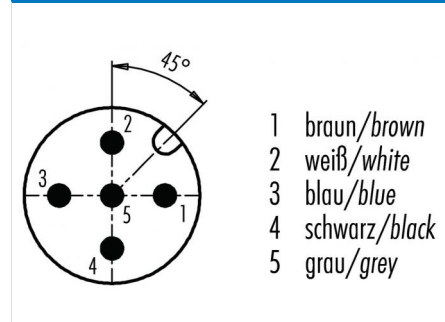
Illustration



Scale drawing



Contact Arrangement



You can find the assembly instruction on the next page.

Technical data

Common values

Connector Design	Male panel mount connector
Connector locking system	screw
Termination	PUR cable
Wire gauge (mm)	0.25 mm ²
Wire gauge (AWG)	24
Upper temperature	70 °C
Lower temperature	-5 °C

Cable data

Cable diameter	5.3
----------------	-----

Electrical values

Rated voltage	125 V
Rated impulse voltage	1500 V
Pollution degree	3
Overvoltage category	II
Material group	II
Rated current (40°C)	4 A
Volume resistivity	≤ 3 mΩ
EMV compliance	shielded
Degree of protection	IP68
Mechanical operation	> 100 mating cycles

Material

Material of contact	CuZn (Brass)
Contact plating	Au (Gold)
Material of contact body	PA
Material of housing	Brass, nickel-plated zinc die casting

Contacts 5, male panel mount connector M16 x 1.5, with shielded PUR cable

Product	Contacts 5, male panel mount connector, M16, with shielded PUR cable	Area	M12-A Series 713/763
Pole	5	Article number	70 3441 785 05

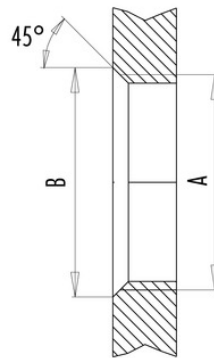
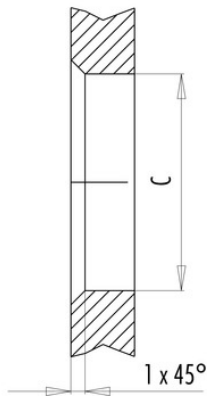
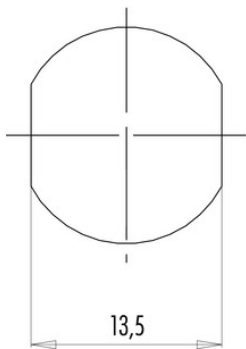
Installation instructions / Mounting cutout

Mit Fläche als Verdrehschutz
With flats as anti-rotation device

Mit Durchgangsbohrung
With bore hole

Mit Gewinde, einschraubbar
With thread to screw in

PG 9/M16 x 1,5



alternativ/alternativ

	A	B	C
PG 9	PG 9	16,2	15,3
PG 13,5	PG 13,5	21,5	20,5
M16x1,5	M16x1,5	17,0	16,1
M20x1,5	M20x1,5	21,0	20,1

Anzugsdrehmoment/Tightening moment

Metallgehäuse/Metal housing 6,25 Nm
Kunststoffgehäuse/Plastic housing 3,75 Nm