

# Product sheet

## Miniature connector



Product  
Pole

**Contacts: 5, Female angled connector**  
5

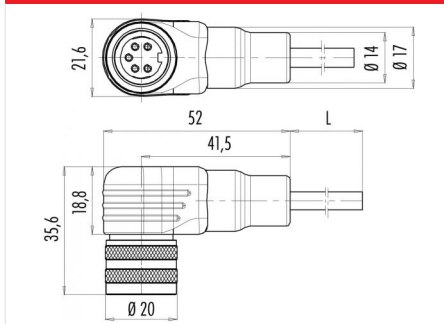
Area  
Article number

**M16 IP67 Series 425**  
**79 6214 200 05**

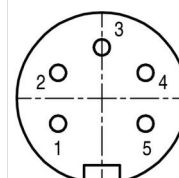
### Illustration



### Scale drawing



### Contact Arrangement



- 1 weiß
- 2 braun
- 3 blau
- 4 schwarz
- 5 grau

## Technical data

### Common values

Connector Design	Female angled connector
Connector locking system	screw
Termination	solder, injection-moulded cable
Wire gauge (mm)	0.25 mm <sup>2</sup>
Wire gauge (AWG)	24
Cable outlet	-
Upper temperature	70 °C
Lower temperature	-25 °C

### Cable data

material housing	PUR
Insulation single lead	PVC
Single lead structure	32x0.1 mm
Cable sheath Ø	5
Bending radius cable fixed	50 mm
Bending radius cable movable	75 mm
Cable diameter	5

### Electrical values

Rated voltage	250 V
Rated impulse voltage	1500 V
Pollution degree	1
Overvoltage category	I
Material group	III
Rated current (40°C)	3 A
Volume resistivity	≤ 3 mΩ
EMV compliance	not shielded
Degree of protection	IP67
Mechanical operation	> 500 mating cycles

### Material

Material of contact	CuSn (Bronze)
Contact plating	Au (Gold)
Material of contact body	PBT (UL 94 V-0)
Material of housing	PUR

Contacts: 5, Cable: 5 x 0.25 mm<sup>2</sup>, female angled connector