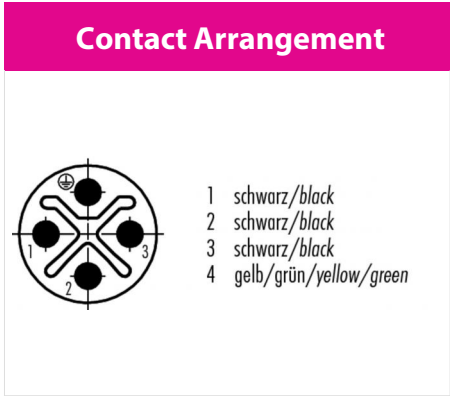
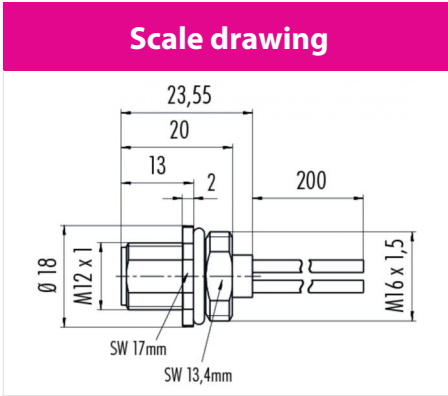


Product	Polzahl: 2+PE, Flanschstecker, Power, S-Kodierung, mit Litzen, Befestigungsgewinde M16 x 1,5
Area	M12-S Series 814
Article number	09 0687 700 03



You can find the assembly instruction on the next page.

Technical data

General features

Connector Design	male panel mount connector
Connector locking system	bolted
Termination	Strands
Wire gauge (mm)	max. 2,5 mm ²
Wire gauge (AWG)	14
Upper temperature	85 °C
Lower temperature	-40 °C

Cable data

Approval 1	UL
------------	----

Electrical parameters

Rated voltage	630 V
Rated impulse voltage	6000 V
Pollution degree	3
Overvoltage category	III
Material group	III
Rated current (40°C)	16 A
Volume resistivity	≤ 3 mΩ
Degree of protection	IP67
Mechanical operation	> 50 Mating cycles

Material

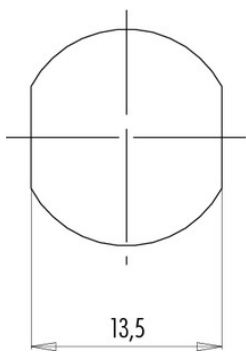
Material of contact	CuZn (Messing)
Contact plating	Au (gold)
Material of contact body	PA

Product **Polzahl: 2+PE, Flanschstecker, Power, S-Kodierung, mit Litzen, Befestigungsgewinde M16 x 1,5**

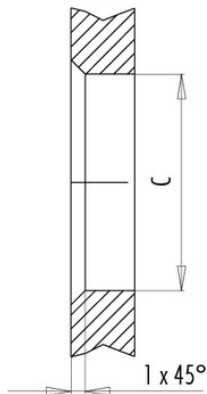
Area **M12-S Series 814**
 Article number **09 0687 700 03**

Installation instructions / Mounting cutout

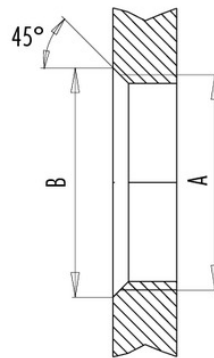
Mit Fläche als Verdrehschutz
 With flats as anti-rotation device



Mit Durchgangsbohrung
 With bore hole



Mit Gewinde, einschraubbar
 With thread to screw in



alternativ/alternativ

	A	B	C
PG 9	PG 9	16,2	15,3
M16x1,5	M16x1,5	17,0	16,1

Anzugsdrehmoment/Tightening moment

Metallgehäuse/Metal housing 6,25 Nm
 Kunststoffgehäuse/Plastic housing 3,75 Nm