
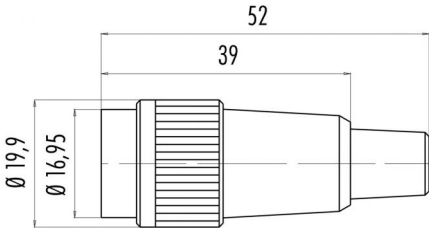
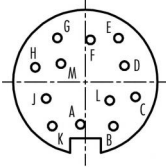


# Product sheet

## Miniature connector



Product	<b>Contacts: 12, female cable connector, cable outlet 6 - 8 mm</b>	Area	<b>Bayonet IP40 Series 678</b>
Pole	<b>12</b>	Article number	<b>99 0650 02 12</b>

Illustration	Scale drawing	Contact Arrangement																																							
		 <table border="1" style="margin-left: auto; margin-right: auto;"> <thead> <tr> <th></th> <th>X</th> <th>Y</th> </tr> </thead> <tbody> <tr><td>A</td><td>-0,41</td><td>-3,45</td></tr> <tr><td>B</td><td>2,29</td><td>-3,61</td></tr> <tr><td>C</td><td>4,10</td><td>-1,21</td></tr> <tr><td>D</td><td>3,20</td><td>1,34</td></tr> <tr><td>E</td><td>2,71</td><td>3,59</td></tr> <tr><td>F</td><td>0,41</td><td>3,45</td></tr> <tr><td>G</td><td>-2,29</td><td>3,61</td></tr> <tr><td>H</td><td>-4,10</td><td>1,21</td></tr> <tr><td>J</td><td>-3,20</td><td>-1,34</td></tr> <tr><td>K</td><td>-2,71</td><td>-3,59</td></tr> <tr><td>L</td><td>-2,00</td><td>-1,51</td></tr> <tr><td>M</td><td>-2,00</td><td>1,51</td></tr> </tbody> </table>		X	Y	A	-0,41	-3,45	B	2,29	-3,61	C	4,10	-1,21	D	3,20	1,34	E	2,71	3,59	F	0,41	3,45	G	-2,29	3,61	H	-4,10	1,21	J	-3,20	-1,34	K	-2,71	-3,59	L	-2,00	-1,51	M	-2,00	1,51
	X	Y																																							
A	-0,41	-3,45																																							
B	2,29	-3,61																																							
C	4,10	-1,21																																							
D	3,20	1,34																																							
E	2,71	3,59																																							
F	0,41	3,45																																							
G	-2,29	3,61																																							
H	-4,10	1,21																																							
J	-3,20	-1,34																																							
K	-2,71	-3,59																																							
L	-2,00	-1,51																																							
M	-2,00	1,51																																							

You can find the item description on the next page.

## Technical data

### Common values

Connector Design	Female cable connector
Connector locking system	Bayonet
Termination	Solder
Wire gauge (mm)	0.25 mm <sup>2</sup>
Wire gauge (AWG)	24
Cable outlet	6 - 8 mm
Upper temperature	85 °C
Lower temperature	-40 °C

### Electrical values

Rated voltage	60 V
Rated impulse voltage	500 V
Pollution degree	1
Overvoltage category	I
Material group	III
Rated current (40°C)	3 A
Volume resistivity	≤ 3 mΩ
EMV compliance	not shielded
Degree of protection	IP40
Mechanical operation	> 500 mating cycles

### Material

Material of contact	CuSn (Bronze)
Contact plating	Au (Gold)
Material of contact body	PBT (UL 94 V-0)
Material of housing	PA (UL 94 V-0)

Contacts: 12, female cable connector, cable outlet 6 - 8 mm

Product	<b>Contacts: 12, female cable connector, cable outlet 6 - 8 mm</b>	Area	<b>Bayonet IP40 Series 678</b>
Pole	<b>12</b>	Article number	<b>99 0650 02 12</b>

Item description

