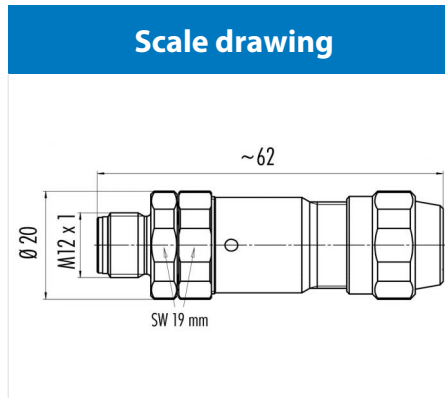
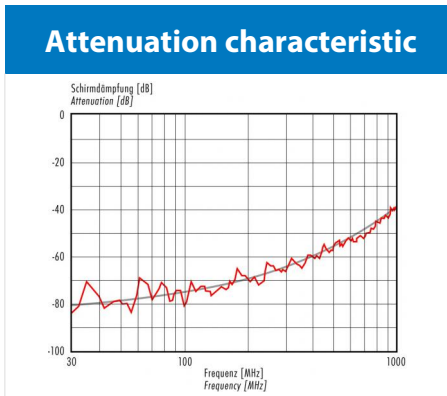


Product	Contacts 8: Cable outlet 5.5 - 8.6 mm, cable plug connector, shieldable, screw terminal connection, static ring version, stainless steel model, with UL approval	Area Article number	M12-A Series 713 99 1487 992 08
Pole	8		



Contact Arrangement

	X	Y
1	2,69	0,57
2	0,57	2,69
3	-1,66	2,20
4	-2,75	0,19
5	-1,94	-1,94
6	0,19	-2,74
7	2,20	-1,65
8	0,00	0,00



You can find the assembly instruction on the next page.

Technical data

Common values

Connector Design	Cable plug connector
Connector locking system	screw
Termination	Screwing
Wire gauge (mm)	0.50 mm ²
Wire gauge (AWG)	20
Cable outlet	6 - 8 mm
Upper temperature	85 °C
Lower temperature	-40 °C

Electrical values

Rated voltage	60 V
Rated impulse voltage	800 V
Pollution degree	3
Overvoltage category	II
Material group	II
Rated current (40°C)	2 A
Volume resistivity	≤ 3 mΩ
EMV compliance	geschirmt
Degree of protection	IP67
Mechanical operation	> 100 mating cycles

Material

Material of contact	CuZn (Brass)
Contact plating	Au (Gold)
Material of contact body	PA
Material of housing	Stainless steel 1.4404

Contacts 8: Cable outlet 5.5 - 8.6 mm, cable plug connector, shieldable, screw terminal connection, static ring version, stainless steel model, with UL approval

Product	Contacts 8: Cable outlet 5.5 - 8.6 mm, cable plug connector, shieldable, screw terminal connection, static ring version, stainless steel model, with UL approval	Area	M12-A Series 713
Pole	8	Article number	99 1487 992 08

Installation instructions / Mounting cutout

Schirm um Schirmring legen
lay shielding braid around shielding ring

35 abmanteln
dismantle

5 abisolieren
strip

Schirm kürzen
shorten of shield

5

Bereich (mm) Range (mm)	Kabel-Ø A (mm) Cable-Ø A (mm)	Kabel-Ø B (mm) Cable-Ø B (mm)
3,0 - 5,5	3 - 4	4 - 5,5
5,5 - 8,6	5,5 - 7,5	7,5 - 8,6