

Product  
Pole

**Adaptor for panel mount connector**  
-

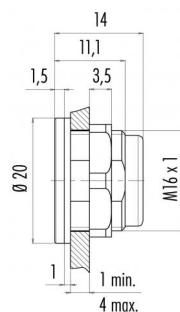
Area  
Article number

**Snap-in IP67 Series 620**  
**08 2636 000 001**

### Illustration



### Scale drawing



You can find the item description and assembly instruction on the next page.

## Technical data

### Common values

Connector Design	Adaptor
Termination	-
Wire gauge (mm)	-
Cable outlet	-

### Cable data

material housing	-
Insulation single lead	-
Single lead structure	-
Conductor resistance	-

### Electrical values

Pollution degree	-
Overvoltage category	-
Material group	-
Rated current (40°C)	-
Volume resistivity	-
EMV compliance	-

### Material

Material of contact	-
Contact plating	-
Material of contact body	-
Material of housing	PA (UL 94 V-0)

Adaptor for panel mount connector

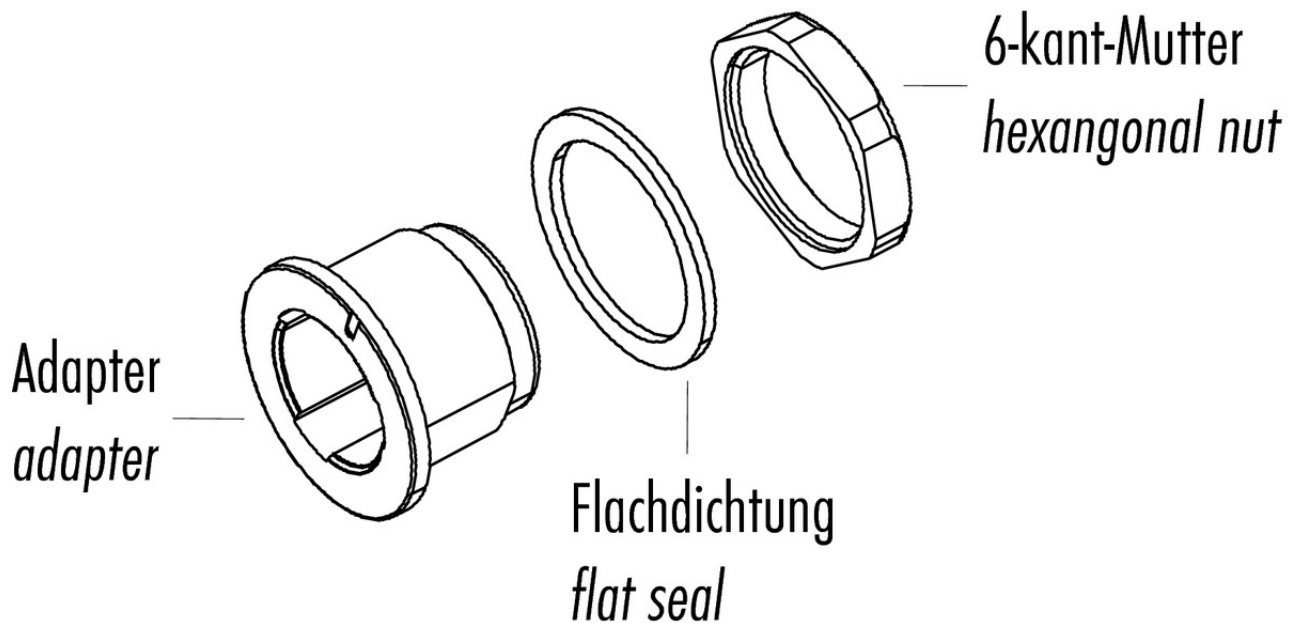
Product  
Pole

Adaptor for panel mount connector  
-

Area  
Article number

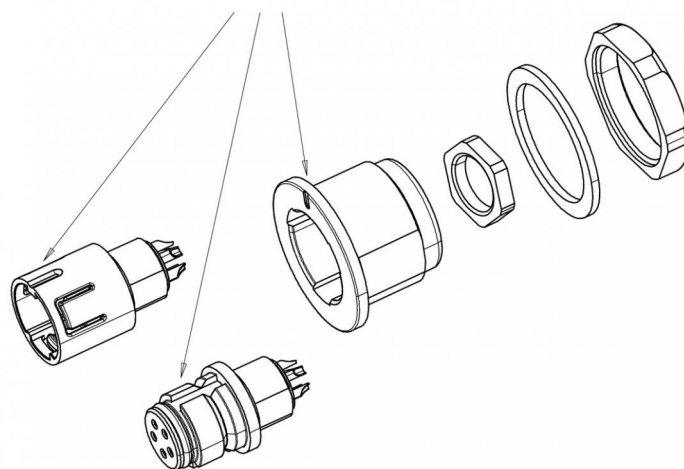
Snap-in IP67 Series 620  
08 2636 000 001

### Item description



### Installation instructions / Mounting cutout

Die Markierung des Adapters muss mit der Kodiernase des Einsatzes übereinstimmen  
The marking of the adapter must be conform with the coding nut of the insert



Einsätze müssen separat bestellt werden  
Inserts have to be ordered separately

Product  
Pole

Adaptor for panel mount connector  
-

Area  
Article number

Snap-in IP67 Series 620  
08 2636 000 001

Installation instructions / Mounting cutout

