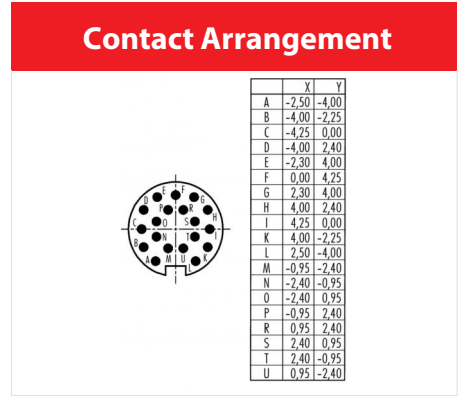
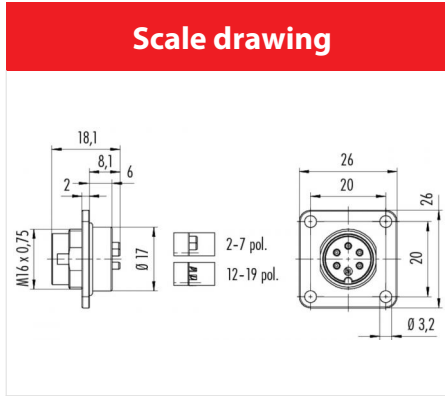


Product **Contacts: 19, Male panel mount connector, rectangular flange, solder**
 Area **M16 IP67 Series 423/ 723/ 425**
 Article number **09 0463 300 19**



You can find the assembly instruction on the next page.

Technical data

General features

Connector Design male panel mount connector
 Connector locking system bolted
 Termination solder
 Wire gauge (mm) 0,25 mm²
 Wire gauge (AWG) 24
 Upper temperature 95 °C
 Lower temperature -40 °C

Electrical parameters

Rated voltage 60 V
 Rated impulse voltage 500 V
 Pollution degree 1
 Overvoltage category III
 Material group III
 Rated current (40°C) 3 A
 Volume resistivity ≤ 3 mΩ
 Degree of protection IP67
 Mechanical operation > 500 Mating cycles

Material

Material of contact CuZn (Messing)
 Contact plating Au (gold)
 Material of contact body PBT (UL 94 V-0)

Product

Contacts: 19, Male panel mount connector, rectangular flange, solder

Area

M16 IP67 Series 423/ 723/ 425

Article number

09 0463 300 19

Installation instructions / Mounting cutout

