

Product 707: Fixing nut M5x0.5  
Area M5

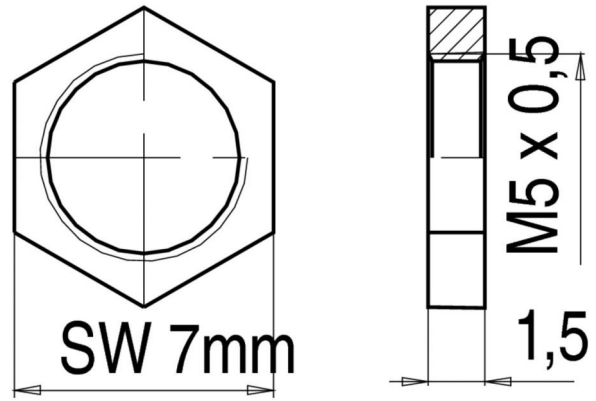
Article number 01 5118 001

Date: 2015-06-04 - Page 1 of 1

Illustration



Scale drawing



Matching products

male panel mount connector with single wires  
Female panel mount connector with single wires