

Product	Contacts: 4, Female panel mount connector, POWER, screw terminal connection, fixing thread, M20 x 1.5, UL approval	Area Article number	M12-A Series 713/763 POWER 99 0432 500 04
Pole	4		

Illustration	Scale drawing	Contact Arrangement															
		<table border="1"> <thead> <tr> <th></th> <th>X</th> <th>Y</th> </tr> </thead> <tbody> <tr> <td>1</td> <td>-2,50</td> <td>0,00</td> </tr> <tr> <td>2</td> <td>0,00</td> <td>2,50</td> </tr> <tr> <td>3</td> <td>2,50</td> <td>0,00</td> </tr> <tr> <td>4</td> <td>0,00</td> <td>-2,50</td> </tr> </tbody> </table>		X	Y	1	-2,50	0,00	2	0,00	2,50	3	2,50	0,00	4	0,00	-2,50
	X	Y															
1	-2,50	0,00															
2	0,00	2,50															
3	2,50	0,00															
4	0,00	-2,50															

You can find the assembly instruction on the next page.

Technical data

Common values

Connector Design	Female panel mount connector
Connector locking system	screw
Termination	Screw terminal
Wire gauge (mm)	screw terminal max. 1.5 mm ²
Wire gauge (AWG)	16
Upper temperature	85 °C
Lower temperature	-40 °C

Electrical values

Rated voltage	250 V
Rated impulse voltage	2500 V
Pollution degree	3
Overvoltage category	II
Material group	II
Rated current (40°C)	8 A
Volume resistivity	≤ 3 mΩ
EMV compliance	not shielded
Degree of protection	IP67
Mechanical operation	> 100 mating cycles

Material

Material of contact	CuSn (Bronze), CuZn (Brass)
Contact plating	Au (Gold)
Material of contact body	PA
Material of housing	Nickel-plated zinc die casting

Contacts: 4, Female panel mount connector, POWER, screw terminal connection, fixing thread, M20 x 1.5, UL approval

Product

Contacts: 4, Female panel mount connector, POWER, screw terminal connection, fixing thread, M20 x 1.5, UL approval

Area
Article number

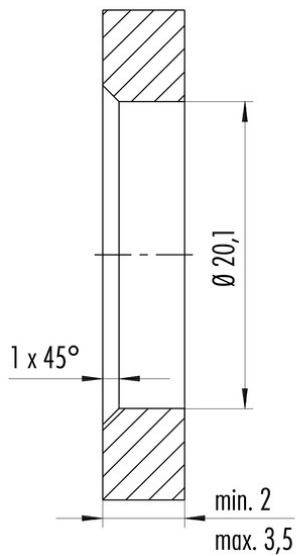
M12-A Series 713/763 POWER
99 0432 500 04

Pole

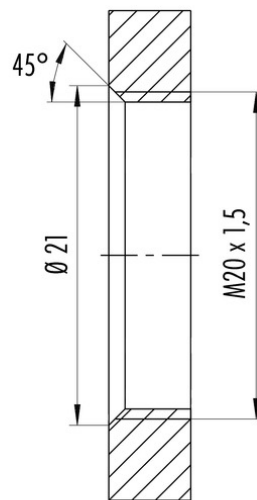
4

Installation instructions / Mounting cutout

Mit Durchgangsbohrung
With bore hole

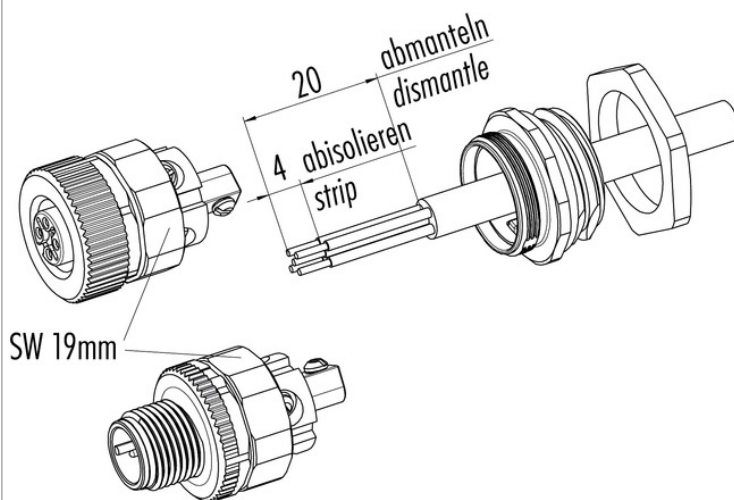


Mit Gewinde, einschraubbar
With thread to screw in



Anzugsdrehmoment/Tightening moment
M20 x 1,5 5 Nm

Installation instructions / Mounting cutout



Litzenquerschnitt

Wire cross section

min. 0,14 mm² 4-, 5-, 8-polig/contacts

max. 1,5 mm² 4-, 5-polig/contacts

max. 0,5 mm² 8-polig/contacts

Kontakteinsatz

Contact insert

4 x 90° verdrehbar/adjustable

Anzugsdrehmoment

Tightening torque

SW 19 Mutter/nut = 5 Nm M18 x 0,75

M20 x 1,5 = 5 Nm