

Product sheet
Miniature connector

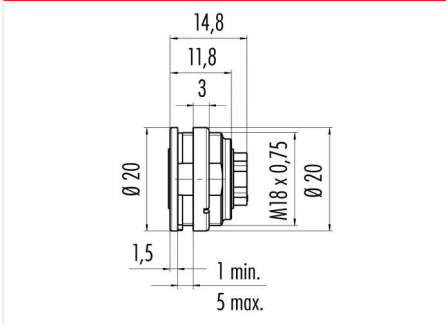


Product	Contacts: 6 DIN, female panel mount connector, crimp	Area	M16 IP40 Series 581/ 680/ 682
Pole	6 DIN	Article number	09 0324 700 06

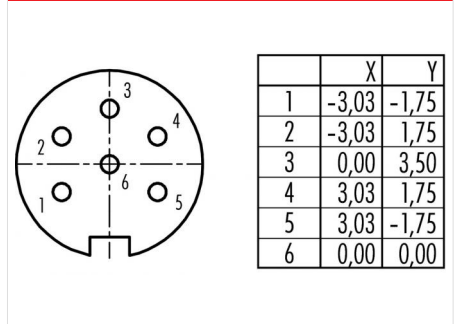
Illustration



Scale drawing



Contact Arrangement



You can find the assembly instruction on the next page.

Technical data

Common values

Connector Design	Female panel mount connector
Connector locking system	screw
Termination	Crimp
Wire gauge (mm)	see crimp contacts under accessories
Cable outlet	-
Upper temperature	85 °C
Lower temperature	-40 °C

Electrical values

Rated voltage	250 V
Rated impulse voltage	1500 V
Pollution degree	1
Overvoltage category	I
Material group	III
Rated current (40°C)	5 A
Volume resistivity	≤ 5 mΩ
EMV compliance	not shielded
Degree of protection	IP40
Mechanical operation	> 500 mating cycles

Material

Material of contact	CuZn (Brass)
Contact plating	Ag (Silver)
Material of contact body	PBT (UL 94 V-0)
Material of housing	CuZn (Brass nickel-plated)

Contacts: 6 DIN, female panel mount connector, crimp

Product

Contacts: 6 DIN, female panel mount
connector, crimp
6 DIN

Area
Article number

M16 IP40 Series 581/ 680/ 682
09 0324 700 06

Pole

Installation instructions / Mounting cutout

