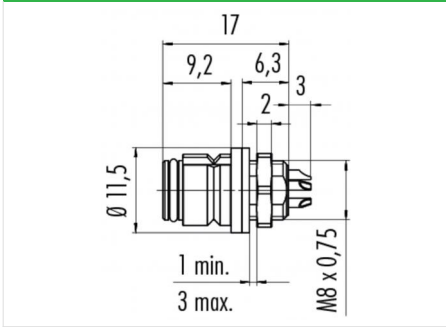


Product	Contacts: 4, female panel mount connector
Area	Snap-in IP67, subminiature Series
Article number	99 9212 490 04

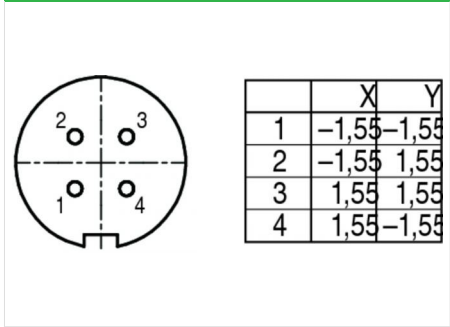
Illustration



Scale drawing



Contact Arrangement



You can find the item description and assembly instruction on the next page.

Technical data

General features

Connector Design	female panel mount connector
Connector locking system	snap
Termination	dip-solder
Wire gauge (mm)	0,25 mm ²
Wire gauge (AWG)	24
Cable outlet	3 - 5 mm
Upper temperature	85 °C
Lower temperature	-25 °C

Electrical parameters

Rated voltage	125 V
Rated impulse voltage	1500 V
Pollution degree	2
Overvoltage category	II
Material group	II
Rated current (40°C)	2,5 A
Volume resistivity	≤ 3 mΩ
EMV compliance	Shielding is not possible
Degree of protection	IP67

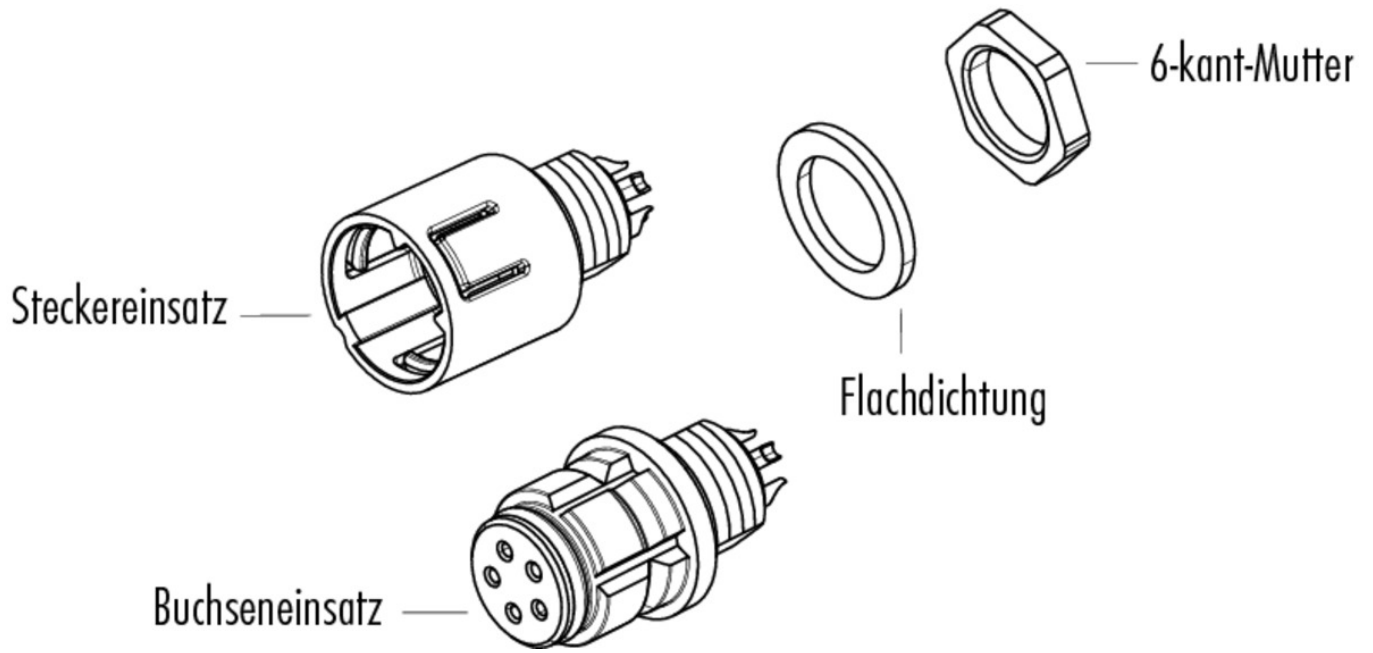
Material

Material of contact	CuSn (Bronze)
Contact plating	Au (gold)
Material of contact body	PA (UL 94 V-0)

Product **Contacts: 4, female panel mount connector**

Area **Snap-in IP67, subminiature Series**
Article number **99 9212 490 04**

Item description



Installation instructions / Mounting cutout

