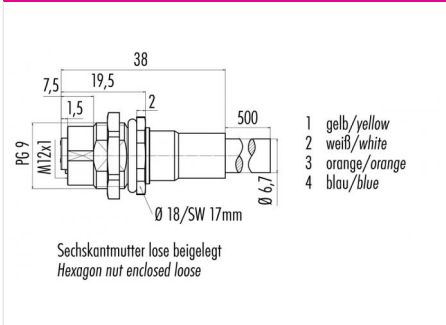


Product	Contacts: 4, male panel mount connector, PG 9, screwed from front, with PROFINET cable, shielded	Area	M12-D, M12-X Series 825/876 D-coding
Pole	4	Article number	70 3734 706 04

Illustration



Scale drawing



You can find the assembly instruction on the next page.

Technical data

Common values

Connector Design	Female panel mount connector
Connector locking system	screw
Termination	PUR cable
Wire gauge (mm)	-
Wire gauge (AWG)	22
Upper temperature	60 °C
Lower temperature	-20 °C

Cable data

material housing	PUR
Insulation single lead	Polyolefin
Single lead structure	7-wire , AWG 22/7
Cable sheath Ø	6.7
Conductor resistance	55Ω/Km
Temperature range cable movable c from	-20
Temperature range cable movable c to	60
Temperature range cable fixed c from	-40
Temperature range cable fixed c to	80
Bending radius cable fixed	min. 35 mm
Bending radius cable movable	min. 100 mm
Approval	Profinet, UL
Cable diameter	6.7

Electrical values

Rated voltage	250 V
Rated impulse voltage	2500 V
Pollution degree	3
Overvoltage category	II
Material group	II
Rated current (40°C)	4 A
Volume resistivity	≤ 3 mΩ
EMV compliance	shielded
Degree of protection	IP67
Mechanical operation	> 100 mating cycles

Material

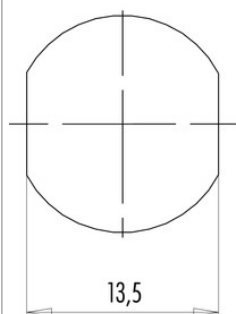
Material of contact	CuSn (Bronze)
Contact plating	Au (Gold)
Material of contact body	PA
Material of housing	Brass, nickel-plated zinc die casting

fixing thread: PG 9, Contacts: 4, Female panel mount connector, screwed from front, with PROFINET cable, shielded

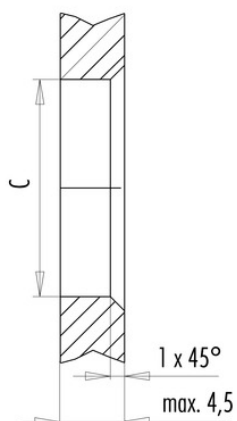
Product	Contacts: 4, male panel mount connector, PG 9, screwed from front, with PROFINET cable, shielded	Area	M12-D, M12-X Series 825/876 D-coding
Pole	4	Article number	70 3734 706 04

Installation instructions / Mounting cutout

Mit Fläche als Verdrehschutz
With flats as anti-rotation device



Mit Durchgangsbohrung
With bore hole



	C
PG 9	15,3
M16x1,5	16,1

Anzugsdrehmoment/Tightening moment

Metallgehäuse/Metal housing 6,25 Nm
Kunststoffgehäuse/Plastic housing 3,75 Nm