

Product 581/680/682: Square panel mount for panel mount connector
Area Bayonet IP40

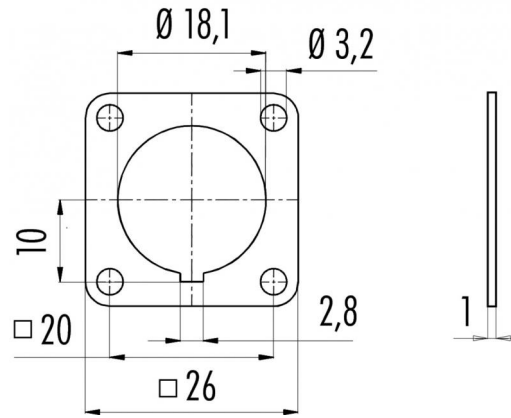
Article number 04 0106 001

Date: 2015-06-04 - Page 1 of 1

Illustration



Scale drawing



Matching products

Male socket

Female socket