

Product 718/768: Protection cap for female panel mount connector
Area M8

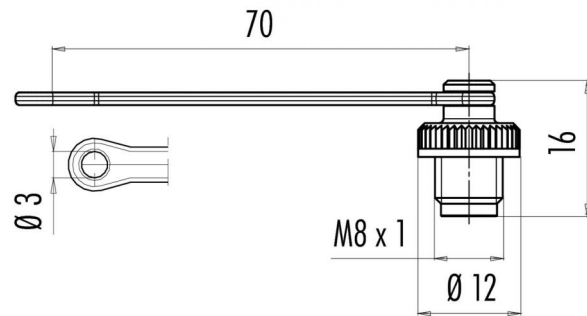
Article number 08 2843 000 000

Date: 2015-06-04 - Page 1 of 1

Illustration



Scale drawing



Matching products

- Female panel mount connector with single wires
- Female panel mount connector, screwed from front, with single wires
- Female panel mount connector with single wires, fixing thread, M10 x 0.75
- Female panel mount connector, straight, 6 mm, dip-solder, with UL approval
- Female panel mount connector, straight, 10 mm, dip-solder, with UL approval
- Female panel mount connector, angled, dip-solder, with UL approval