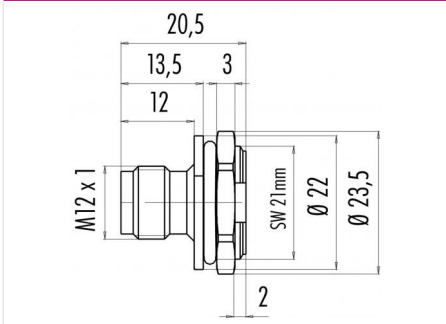


Product	<b>Contacts: 4, Male panel mount connector, fixing thread, PG 11</b>	Area	<b>M12-B Series 715/766</b>
Pole	<b>4</b>	Article number	<b>09 0435 90 04</b>

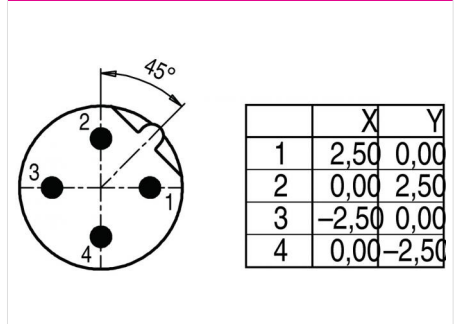
**Illustration**



**Scale drawing**



**Contact Arrangement**



You can find the assembly instruction on the next page.

**Technical data**

**Common values**

Connector Design	Male panel mount connector
Connector locking system	screw
Termination	Solder
Wire gauge (mm)	0.50 mm <sup>2</sup>
Wire gauge (AWG)	20
Upper temperature	85 °C
Lower temperature	-40 °C

**Electrical values**

Rated voltage	250 V
Rated impulse voltage	2500 V
Pollution degree	3
Overvoltage category	II
Material group	III
Rated current (40°C)	4 A
Volume resistivity	≤ 3 mΩ
EMV compliance	not shielded
Degree of protection	IP67
Mechanical operation	> 100 mating cycles

**Cable data**

material housing	-
Insulation single lead	-
Single lead structure	-
Conductor resistance	-
Bending radius cable fixed	-
Bending radius cable movable	-

**Material**

Material of contact	CuZn (Brass)
Contact plating	Au (Gold)
Material of contact body	PA
Material of housing	-

fixing thread: PG 11, Contacts: 4, Male panel mount connector, fixing thread

Product	<b>Contacts: 4, Male panel mount connector, fixing thread, PG 11</b>	Area	<b>M12-B Series 715/766</b>
Pole	<b>4</b>	Article number	<b>09 0435 90 04</b>

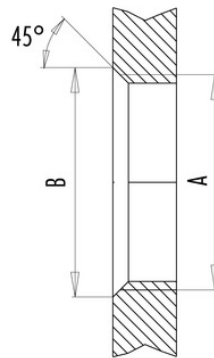
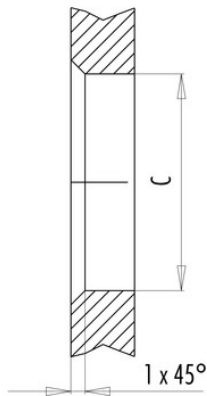
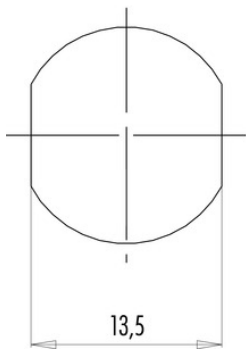
Installation instructions / Mounting cutout

Mit Fläche als Verdrehschutz  
With flats as anti-rotation device

Mit Durchgangsbohrung  
With bore hole

Mit Gewinde, einschraubbar  
With thread to screw in

PG 9/M16 x 1,5



alternativ/alternativ

	A	B	C
PG 9	PG 9	16,2	15,3
PG 13,5	PG 13,5	21,5	20,5
M16x1,5	M16x1,5	17,0	16,1
M20x1,5	M20x1,5	21,0	20,1

Anzugsdrehmoment/Tightening moment

Metallgehäuse/Metal housing 6,25 Nm  
Kunststoffgehäuse/Plastic housing 3,75 Nm