

**Product sheet**  
**Miniature connector**

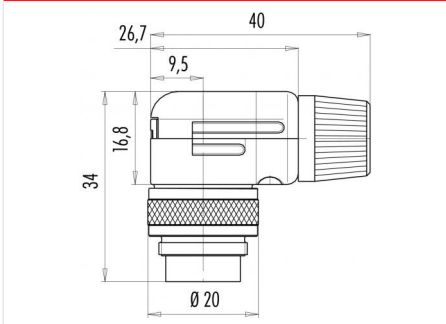


|         |  |                |                            |
|---------|--|----------------|----------------------------|
| Product | <b>Contacts: 19, Male angled connector, cable outlet 4 – 6 mm, metal model, shieldable</b> | Area           | <b>M16 IP40 Series 682</b> |
| Pole    | <b>19</b>  | Article number | <b>99 0163 10 19</b>       |

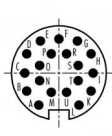
**Illustration**



**Scale drawing**



**Contact Arrangement**



|   | X     | Y     |
|---|-------|-------|
| A | -2,50 | -4,00 |
| B | -4,00 | -2,25 |
| C | -4,25 | 0,00  |
| D | -4,00 | 2,40  |
| E | -2,30 | 4,00  |
| F | 0,00  | 4,25  |
| G | 2,30  | 4,00  |
| H | 4,00  | 2,40  |
| I | 4,25  | 0,00  |
| K | 4,00  | -2,25 |
| L | 2,50  | -4,00 |
| M | -0,95 | -2,40 |
| N | -2,40 | -0,95 |
| O | -2,40 | 0,95  |
| P | -0,95 | 2,40  |
| R | 0,95  | 2,40  |
| S | 2,40  | 0,95  |
| T | 2,40  | -0,95 |
| U | 0,95  | -2,40 |

You can find the item description on the next page.

**Technical data**

**Common values**

|                          |                       |
|--------------------------|-----------------------|
| Connector Design         | Male angled connector |
| Connector locking system | screw                 |
| Termination              | Solder                |
| Wire gauge (mm)          | 0.25 mm <sup>2</sup>  |
| Wire gauge (AWG)         | 24                    |
| Cable outlet             | 4 - 6 mm              |
| Upper temperature        | 85 °C                 |
| Lower temperature        | -40 °C                |

**Electrical values**

|                       |                     |
|-----------------------|---------------------|
| Rated voltage         | 60 V                |
| Rated impulse voltage | 500 V               |
| Pollution degree      | 1                   |
| Overvoltage category  | I                   |
| Material group        | III                 |
| Rated current (40°C)  | 3 A                 |
| Volume resistivity    | ≤ 3 mΩ              |
| EMV compliance        | shielded            |
| Degree of protection  | IP40                |
| Mechanical operation  | > 500 mating cycles |

**Material**

|                          |                 |
|--------------------------|-----------------|
| Material of contact      | CuZn (Brass)    |
| Contact plating          | Au (Gold)       |
| Material of contact body | PBT (UL 94 V-0) |
| Material of housing      | PA (UL 94 HB)   |

Contacts: 19, Male angled connector, cable outlet 4 – 6 mm, metal model, shieldable, gold plated contacts

**Product sheet**  
**Miniature connector**



|         |  |                |                            |
|---------|--|----------------|----------------------------|
| Product | <b>Contacts: 19, Male angled connector, cable outlet 4 – 6 mm, metal model, shieldable</b> | Area           | <b>M16 IP40 Series 682</b> |
| Pole    | <b>19</b>  | Article number | <b>99 0163 10 19</b>       |

**Item description**

