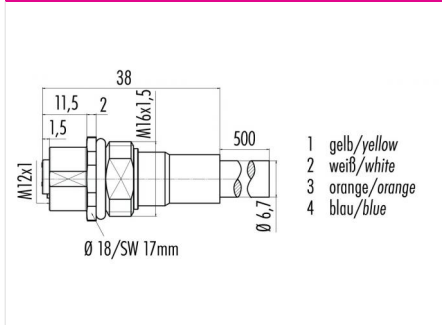


Product	<b>Contacts: 4, Female panel mount connector, M16 x 1.5, with PROFINET cable, shielded</b>	Area	<b>M12-D, M12-X Series 825/876 D-coding</b>
Pole	<b>4</b>	Article number	<b>70 3734 705 04</b>

**Illustration**



**Scale drawing**



**Technical data**

**Common values**

Connector Design	Female panel mount connector
Connector locking system	screw
Termination	PUR cable
Wire gauge (mm)	-
Wire gauge (AWG)	22
Upper temperature	60 °C
Lower temperature	-20 °C

**Electrical values**

Rated voltage	250 V
Rated impulse voltage	2500 V
Pollution degree	3
Overvoltage category	II
Material group	II
Rated current (40°C)	4 A
Volume resistivity	≤ 3 mΩ
EMV compliance	shielded
Degree of protection	IP67
Mechanical operation	> 100 mating cycles

**Cable data**

material housing	PUR
Insulation single lead	Polyolefin
Single lead structure	7 x 0.25 x (AWG 22)
Cable sheath Ø	6.7
Conductor resistance	55Ω/Km
Temperature range cable movable c from	-20
Temperature range cable movable c to	60
Temperature range cable fixed c from	-40
Temperature range cable fixed c to	80
Bending radius cable fixed	min. 35 mm
Bending radius cable movable	min. 100 mm
Approval	UL style: 20236
Cable diameter	6.7

**Material**

Material of contact	CuSn (Bronze)
Contact plating	Au (Gold)
Material of contact body	PA
Material of housing	Brass, nickel-plated zinc die casting

fixing thread: M16 x 1.5, Contacts: 4, Female panel mount connector, with PROFINET cable, shielded