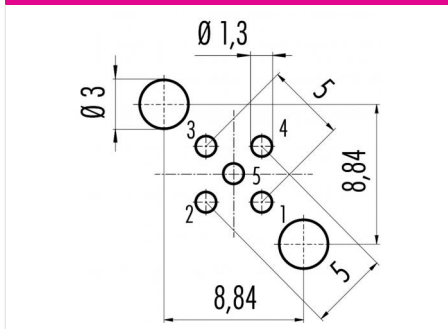


Product	Contacts: 5, Female panel mount connector for PCB mounting, screwed from the front, with shielding sheet, dip-solder	Area Article number	M12-B Series 715/766 09 4442 500 05
Pole	5		

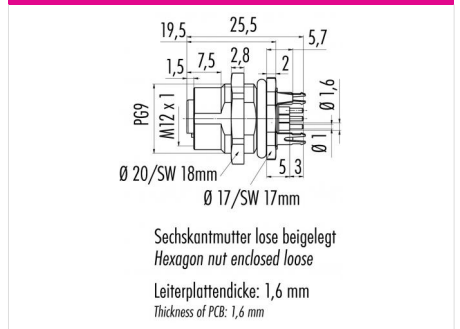
Illustration



Conductor layout



Scale drawing



You can find the assembly instruction on the next page.

Technical data

Common values

Connector Design	Female panel mount connector
Connector locking system	screw
Termination	tauchlöten
Wire gauge (mm)	-
Wire gauge (AWG)	-
Upper temperature	85 °C
Lower temperature	-40 °C

Cable data

material housing	-
Insulation single lead	-
Single lead structure	-
Conductor resistance	-
Bending radius cable fixed	-
Bending radius cable movable	-

Electrical values

Rated voltage	125 V
Rated impulse voltage	1500 V
Pollution degree	3
Overvoltage category	II
Material group	II
Rated current (40°C)	4 A
Volume resistivity	≤ 8 mΩ
EMV compliance	shielded
Degree of protection	IP68
Mechanical operation	> 100 mating cycles

Material

Material of contact	CuSn (Bronze)
Contact plating	Sn (Tin)
Material of contact body	PA
Material of housing	Brass, nickel-plated zinc die casting

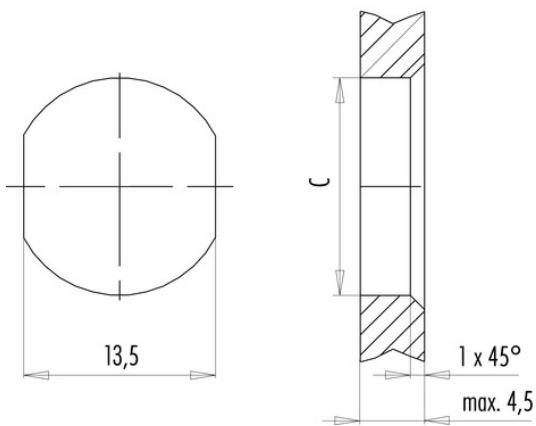
Contacts: 5, Female panel mount connector for PCB mounting, screwed from the front, with shielding sheet, dip-solder

Product	Contacts: 5, Female panel mount connector for PCB mounting, screwed from the front, with shielding sheet, dip-solder	Area Article number	M12-B Series 715/766 09 4442 500 05
Pole	5		

Installation instructions / Mounting cutout

Mit Fläche als Verdrehschutz
With flats as anti-rotation device

Mit Durchgangsbohrung
With bore hole



	C
PG 9	15,3
M16x1,5	16,1

Anzugsdrehmoment/Tightening moment

Metallgehäuse/Metal housing 6,25 Nm
Kunststoffgehäuse/Plastic housing 3,75 Nm