
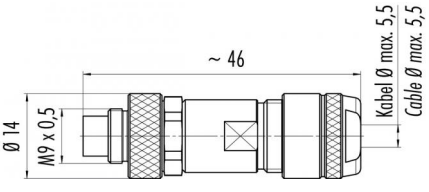
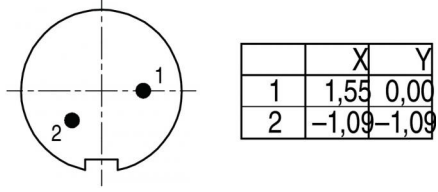


Product sheet

Subminiature connector



Product	Contacts: 2, Cable plug connector, 360° EMC safe, shieldable, iris type spring, cable outlet 4-5.5 mm	Area Article number	M9 IP67 Series 712 99 0401 115 02
Pole	2		

Illustration	Scale drawing	Contact Arrangement									
		 <table border="1" style="margin-left: auto; margin-right: auto;"> <thead> <tr> <th></th> <th>X</th> <th>Y</th> </tr> </thead> <tbody> <tr> <td>1</td> <td>1,55</td> <td>0,00</td> </tr> <tr> <td>2</td> <td>-1,09</td> <td>-1,09</td> </tr> </tbody> </table>		X	Y	1	1,55	0,00	2	-1,09	-1,09
	X	Y									
1	1,55	0,00									
2	-1,09	-1,09									

You can find the item description and assembly instruction on the next page.

Technical data

Common values

Connector Design	Cable plug connector
Connector locking system	screw
Termination	Solder
Wire gauge (mm)	0.25 mm ²
Wire gauge (AWG)	24
Cable outlet	3.5 - 5 mm
Upper temperature	85 °C
Lower temperature	-40 °C

Cable data

material housing	-
Insulation single lead	-
Single lead structure	-
Conductor resistance	-

Electrical values

Rated voltage	125 V
Rated impulse voltage	1500 V
Pollution degree	1
Overvoltage category	II
Material group	III
Rated current (40°C)	4 A
Volume resistivity	≤ 3 mΩ
EMV compliance	schirmbar
Degree of protection	IP67
Mechanical operation	> 500 mating cycles

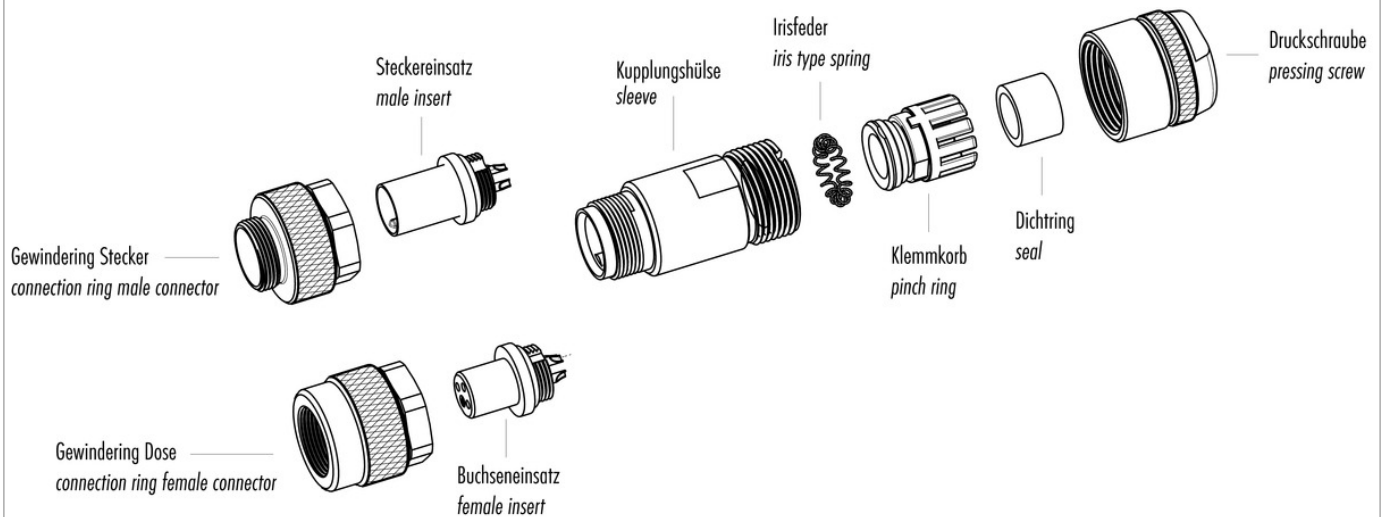
Material

Material of contact	CuZn (Brass)
Contact plating	Au (Gold)
Material of contact body	PBT (UL 94 V-0)
Material of housing	CuZn (Brass nickel-plated)

Contacts: 2, Cable plug connector, 360° EMC safe, shieldable, iris type spring, cable outlet 4-5.5 mm

Product	Contacts: 2, Cable plug connector, 360° EMC safe, shieldable, iris type spring, cable outlet 4-5.5 mm	Area	M9 IP67 Series 712
Pole	2	Article number	99 0401 115 02

Item description



Installation instructions / Mounting cutout

Shielddurchmesser > 3,5 mm

1. Gehäuse auf Kabel aufdübeln.
2. Abisolieren, Schirm kürzen.
3. Litzen anlöten.
4. Gehäuse mit Stecker- bzw. Buchseneinsatz verschrauben und Druckschraube festdrehen.

Shield-diameter > 3,5 mm

1. Bead housing to cable.
2. Strip single cores, shorten shielding braid.
3. Solder wires.
4. Screw housing to male or female contact carrier and fix pressing screw.

Shielddurchmesser ≤ 3,5 mm

1. Gehäuse auf Kabel aufdübeln.
2. Abisolieren, Schirm kürzen, Schirm über Kabelmantel legen, mit Kupfer-Schirmfolie ca. 1 1/2 mal umwickeln und die Folie kürzen.
3. Litzen anlöten.
4. Gehäuse mit Stecker- bzw. Buchseneinsatz verschrauben und Druckschraube festdrehen.

Shield-diameter ≤ 3,5 mm

1. Bead housing to cable.
2. Strip single cores, shorten shielding braid, put braid over cable coating, wrap it approx. 1 1/2 times with shielded copper tape and shorten tape.
3. Solder wires.
4. Screw housing to male or female contact carrier and fix pressing screw.

