

Product sheet

Subminiature connector

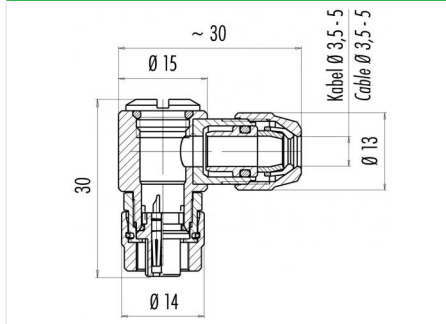


Product	Contacts: 7, Female angled connector, 360° EMC safe, cable outlet 3.5-5 mm	Area	M9 IP67 Series 712
Pole	7	Article number	99 0422 75 07

Illustration



Scale drawing



Contact Arrangement

	X	Y
1	-0,90	-1,65
2	-1,85	-0,35
3	-1,45	1,20
4	0,00	1,85
5	1,45	1,20
6	1,85	-0,35
7	0,90	-1,65

You can find the item description on the next page.

Technical data

Common values

Connector Design	Female angled connector
Connector locking system	screw
Termination	Solder
Wire gauge (mm)	0.14 mm ²
Wire gauge (AWG)	26
Cable outlet	3.5 - 5 mm
Upper temperature	85 °C
Lower temperature	-40 °C

Cable data

material housing	-
Insulation single lead	-
Single lead structure	-
Conductor resistance	-

Electrical values

Rated voltage	125 V
Rated impulse voltage	1500 V
Pollution degree	1
Overvoltage category	II
Material group	III
Rated current (40°C)	1 A
Volume resistivity	≤ 3 mΩ
EMV compliance	shieldable
Degree of protection	IP67
Mechanical operation	> 500 mating cycles

Material

Material of contact	CuSn (Bronze)
Contact plating	Au (Gold)
Material of contact body	PA (UL 94 V-0)
Material of housing	CuZn (Brass nickel-plated)

Contacts: 7, Female angled connector, 360° EMC safe, shieldable, cable outlet 3.5-5 mm

Product sheet

Subminiature connector



Product

**Contacts: 7, Female angled connector,
360° EMC safe, cable outlet 3.5-5 mm
7**

Area
Article number

**M9 IP67 Series 712
99 0422 75 07**

Pole

Item description

