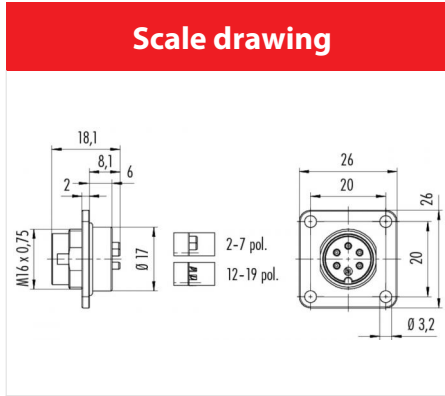
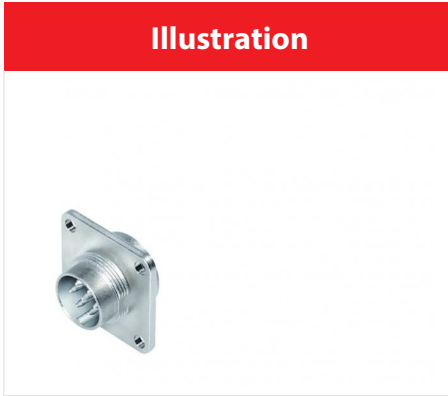


Product **Contacts: 16, Male panel mount connector, rectangular flange, solder**  
 Area **M16 IP67 Series 423/ 723/ 425**  
 Article number **09 0507 300 16**



**Contact Arrangement**

	X	Y
A	-2,50	-4,00
B	-4,00	-2,25
C	-4,25	0,00
D	-4,00	2,40
E	-2,30	4,00
F	0,00	4,25
G	2,30	4,00
H	4,00	2,40
I	4,25	0,00
K	4,00	-2,25
L	2,50	-4,00
M	0,00	-2,60
N	-2,45	-0,80
O	-1,50	2,10
P	1,50	2,10
R	2,40	-0,80

**You can find the assembly instruction on the next page.**

## Technical data

### General features

Connector Design male panel mount connector  
 Connector locking system bolted  
 Termination solder  
 Wire gauge (mm) 0,25 mm<sup>2</sup>  
 Wire gauge (AWG) 24  
 Upper temperature 95 °C  
 Lower temperature -40 °C

### Electrical parameters

Rated voltage 60 V  
 Rated impulse voltage 500 V  
 Pollution degree 1  
 Overvoltage category I  
 Material group III  
 Rated current (40°C) 3 A  
 Volume resistivity ≤ 3 mΩ  
 Degree of protection IP67  
 Mechanical operation > 500 Mating cycles

### Material

Material of contact CuZn (Messing)  
 Contact plating Au (gold)  
 Material of contact body PBT (UL 94 V-0)

Product

Contacts: 16, Male panel mount connector, rectangular flange, solder

Area

M16 IP67 Series 423/ 723/ 425

Article number

09 0507 300 16

Installation instructions / Mounting cutout

