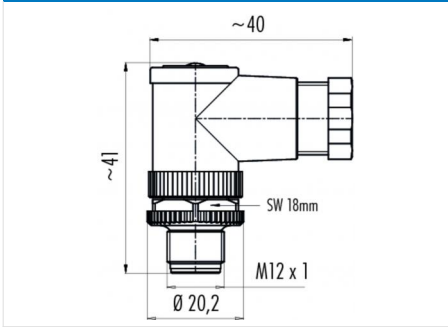


Product	Contacts 4: Male angled connector, crimp termination, cable outlet 4-6 mm
Area	M12-A Series 713
Article number	99 0529 24 04

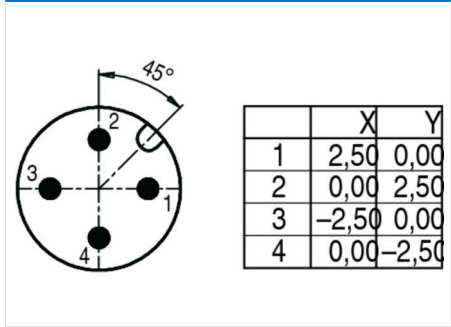
Illustration



Scale drawing



Contact Arrangement



Technical data

General features

Connector Design	male angled connector
Connector locking system	bolted
Termination	crimp
Wire gauge (mm)	0,34-1,5 mm ²
Wire gauge (AWG)	22-16
Cable outlet	4 – 6 mm
Upper temperature	85 °C
Lower temperature	-40 °C

Electrical parameters

Rated voltage	250 V
Rated impulse voltage	2500 V
Pollution degree	3
Overvoltage category	II
Material group	III
Rated current (40°C)	4 A
Volume resistivity	≤ 3 mΩ
EMV compliance	not shielded
Degree of protection	IP67
Mechanical operation	> 50 Mating cycles

Material

Material of contact	CuZn (Messing)
Contact plating	Au (gold)
Material of contact body	PA