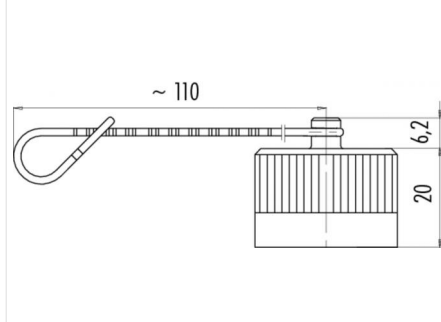


Product **692/693: Protection cap for cable plug connector, IP67**
 Article number **08 2299 000 000**

Illustration



Scale drawing



Matching products

- Cable plug connector, PG 9
- Cable plug connector with cable strain relief, PG 9, VDE-, UL and ETS approval
- Cable plug connector with pinch ring, PG 11
- Cable plug connector with pinch ring, PG 11, VDE, UL and ETS approval
- Cable plug connector with pinch ring, PG 13.5
- Cable plug connector with pinch ring, PG 13.5, VDE, UL and ETS approval
- Cable plug connector with pinch ring, PG 16
- Cable plug connector with pinch ring, PG 16, VDE, UL and ETS approval
- Male angled connector, PG 9
- Male angled connector, PG 9, VDE, UL and ETS approval
- Male angled connector, PG 11
- Male angled connector, PG 11, VDE, UL and ETS approval
- Male angled connector, PG 13.5
- Male angled connector, PG 13.5, VDE, UL and ETS approval
- cable plug connector injection-moulded cable
- male angled connector injection-moulded cable