

# Product sheet

## Miniature connector

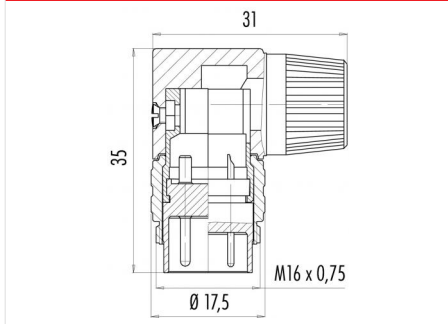


Product	<b>Contacts: 12, Male angled connector, cable outlet 6 - 8 mm, plastic model</b>	Area	<b>M16 IP40 Series 682</b>
Pole	<b>12</b>	Article number	<b>09 0147 72 12</b>

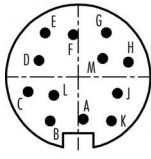
### Illustration



### Scale drawing



### Contact Arrangement



	X	Y
A	0,41	-3,45
B	-2,29	-3,61
C	-4,10	-1,21
D	-3,20	1,34
E	-2,71	3,59
F	-0,41	3,45
G	2,29	3,61
H	4,10	1,21
J	3,20	-1,34
K	2,71	-3,59
L	-2,00	-1,51
M	2,00	1,51

You can find the item description on the next page.

## Technical data

### Common values

Connector Design	Male angled connector
Connector locking system	screw
Termination	Solder
Wire gauge (mm)	0.25 mm <sup>2</sup>
Wire gauge (AWG)	24
Cable outlet	6 - 7.8 mm
Upper temperature	85 °C
Lower temperature	-40 °C

### Electrical values

Rated voltage	60 V
Rated impulse voltage	500 V
Pollution degree	1
Overvoltage category	I
Material group	III
Rated current (40°C)	3 A
Volume resistivity	≤ 3 mΩ
EMV compliance	not shielded
Degree of protection	IP40
Mechanical operation	> 500 mating cycles

### Material

Material of contact	CuZn (Brass)
Contact plating	Au (Gold)
Material of contact body	PBT (UL 94 V-0)
Material of housing	PA (UL 94 HB)

Contacts: 12, Male angled connector, cable outlet 6 - 8 mm, plastic model, gold plated contacts

Product

**Contacts: 12, Male angled connector, cable outlet 6 - 8 mm, plastic model 12**

Area  
Article number

**M16 IP40 Series 682  
09 0147 72 12**

Pole

### Item description

