

# Product sheet

## Subminiature connector



Product  
Pole

**Contacts: 2, Cable plug connector, overmoulded**  
2

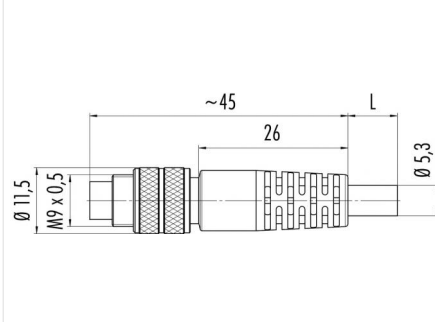
Area  
Article number

**M9 IP67 Series 702**  
**79 1401 12 02**

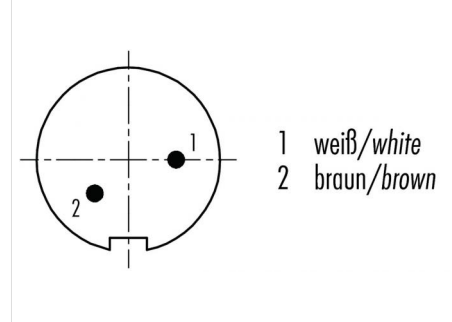
### Illustration



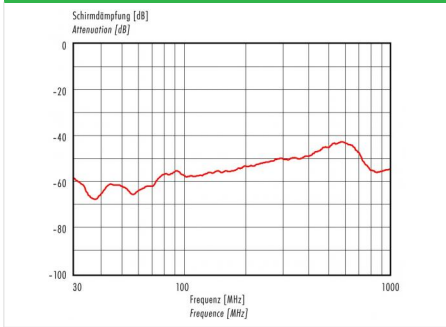
### Scale drawing



### Contact Arrangement



### Attenuation characteristic



## Technical data

### Common values

|                          |                      |
|--------------------------|----------------------|
| Connector Design         | Cable plug connector |
| Connector locking system | screw                |
| Termination              | overmoulded on cable |
| Wire gauge (mm)          | 0.25 mm <sup>2</sup> |
| Wire gauge (AWG)         | 24                   |
| Cable outlet             | -                    |
| Upper temperature        | 70 °C                |
| Lower temperature        | -25 °C               |

### Cable data

|                              |              |
|------------------------------|--------------|
| material housing             | PUR          |
| Insulation single lead       | PVC          |
| Single lead structure        | 14 x 0.15 mm |
| Cable sheath Ø               | 5.3          |
| Conductor resistance         | 75Ω/Km       |
| Bending radius cable fixed   | Min. 53 mm   |
| Bending radius cable movable | Min. 80 mm   |
| Cable diameter               | 5.3          |

### Electrical values

|                       |                     |
|-----------------------|---------------------|
| Rated voltage         | 125 V               |
| Rated impulse voltage | 1500 V              |
| Pollution degree      | 1                   |
| Overvoltage category  | II                  |
| Material group        | III                 |
| Rated current (40°C)  | 4 A                 |
| Volume resistivity    | ≤ 3 mΩ              |
| EMV compliance        | shielded            |
| Degree of protection  | IP67                |
| Mechanical operation  | > 500 mating cycles |

### Material

|                          |                 |
|--------------------------|-----------------|
| Material of contact      | CuZn (Brass)    |
| Contact plating          | Au (Gold)       |
| Material of contact body | PBT (UL 94 V-0) |
| Material of housing      | PUR             |

**Contacts: 2, Cable plug connector overmoulded, shielded, cable length 2 m**