

Product sheet
Miniature connector

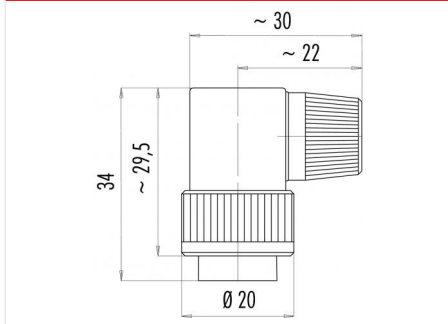


| | | | |
|---------|---|----------------|--------------------------------|
| Product | Contacts: 14, Male angled connector, cable outlet 4 – 6 mm | Area | Bayonet IP40 Series 678 |
| Pole | 14 | Article number | 99 0653 70 14 |

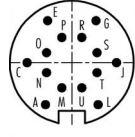
Illustration



Scale drawing



Contact Arrangement



| | X | Y |
|---|-------|-------|
| A | -2,50 | -4,00 |
| C | -4,25 | 0,00 |
| E | -2,30 | 4,00 |
| G | 2,30 | 4,00 |
| J | 4,25 | 0,00 |
| L | 2,50 | -4,00 |
| M | -0,95 | -2,40 |
| N | -2,40 | -0,95 |
| O | -2,40 | 0,95 |
| P | -0,95 | 2,40 |
| R | 0,95 | 2,40 |
| S | 2,40 | 0,95 |
| T | 2,40 | -0,95 |
| U | 0,95 | -2,40 |

You can find the item description on the next page.

Technical data

Common values

| | |
|--------------------------|-----------------------|
| Connector Design | Male angled connector |
| Connector locking system | Bayonet |
| Termination | Solder |
| Wire gauge (mm) | 0.25 mm ² |
| Wire gauge (AWG) | 24 |
| Cable outlet | 4 - 6 mm |
| Upper temperature | 85 °C |
| Lower temperature | -40 °C |

Electrical values

| | |
|-----------------------|---------------------|
| Rated voltage | 60 V |
| Rated impulse voltage | 500 V |
| Pollution degree | 1 |
| Overvoltage category | I |
| Material group | III |
| Rated current (40°C) | 3 A |
| Volume resistivity | ≤ 3 mΩ |
| EMV compliance | not shielded |
| Degree of protection | IP40 |
| Mechanical operation | > 500 mating cycles |

Material

| | |
|--------------------------|-----------------|
| Material of contact | CuZn (Brass) |
| Contact plating | Au (Gold) |
| Material of contact body | PBT (UL 94 V-0) |
| Material of housing | PA (UL 94 V-0) |

Contacts: 14, Male angled connector, cable outlet 4 – 6 mm

Product

Contacts: 14, Male angled connector, cable outlet 4 – 6 mm
14

Area
Article number

Bayonet IP40 Series 678
99 0653 70 14

Pole

Item description

