

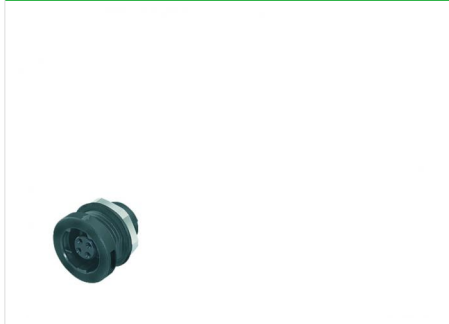
Product sheet

Subminiature connector

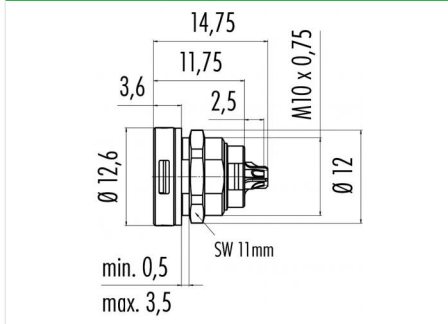


| | | | |
|---------|--|----------------|--|
| Product | Contacts: 5, female panel mount connector | Area | Micro Push-Pull IP67 Series 420 |
| Pole | 5 | Article number | 09 4716 00 05 |

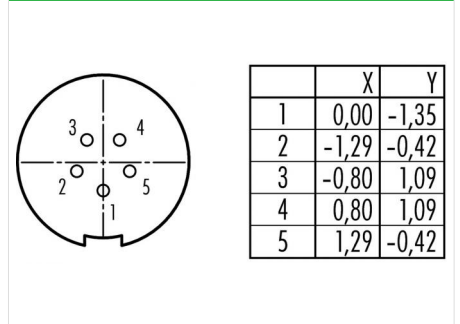
Illustration



Scale drawing



Contact Arrangement



You can find the item description and assembly instruction on the next page.

Technical data

Common values

| | |
|--------------------------|------------------------------|
| Connector Design | Female panel mount connector |
| Connector locking system | Micro Push-Pull |
| Termination | Solder |
| Wire gauge (mm) | 0.14 mm ² |
| Wire gauge (AWG) | 26 |
| Upper temperature | 80 °C |
| Lower temperature | -40 °C |

Cable data

| | |
|------------------------|---|
| material housing | - |
| Insulation single lead | - |
| Single lead structure | - |
| Conductor resistance | - |

Electrical values

| | |
|-----------------------|----------------------|
| Rated voltage | 125 V |
| Rated impulse voltage | 1500 V |
| Pollution degree | 2 |
| Overvoltage category | II |
| Material group | II |
| Rated current (40°C) | 1 A |
| Volume resistivity | ≤ 8 mΩ |
| EMV compliance | not shieldable |
| Degree of protection | IP67 |
| Mechanical operation | > 1000 mating cycles |

Material

| | |
|--------------------------|---------------|
| Material of contact | CuSn (Bronze) |
| Contact plating | Au (Gold) |
| Material of contact body | PA |
| Material of housing | PA |

Contacts: 5, female panel mount connector

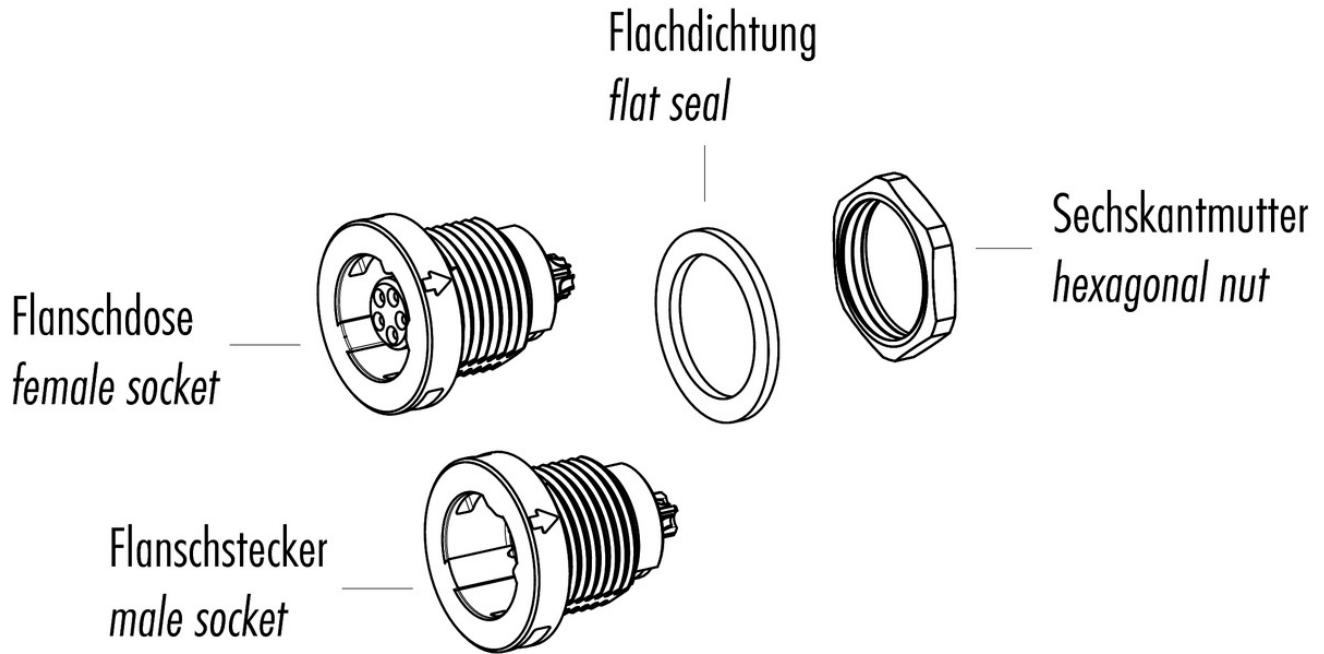
Product
Pole

Contacts: 5, female panel mount
connector
5

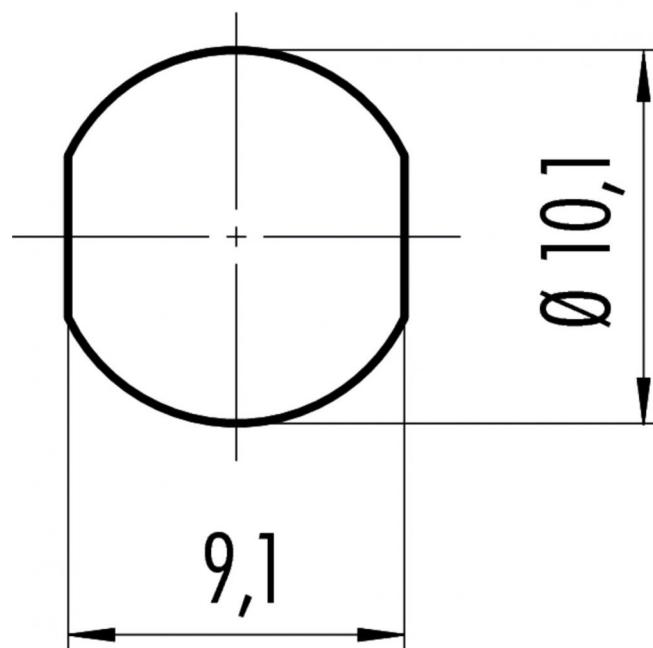
Area
Article number

Micro Push-Pull IP67 Series 420
09 4716 00 05

Item description



Installation instructions / Mounting cutout



Product

Contacts: 5, female panel mount connector

Area

Micro Push-Pull IP67 Series 420

Pole

5

Article number

09 4716 00 05

Installation instructions / Mounting cutout

1. Abmanteln auf L = 9mm.
Ummantelung abstreifen.
2. Dichtung in Klemmvorrichtung montieren.
Druckschraube und Verriegelungseinheit auf Kabel aufstecken.
3. Litzen abisolieren (l = 3mm) und verzinnen.
4. Einsätze anlöten.
5. Verriegelungseinheit orientiert, Pfeilrichtung beachten, aufschieben und aufschrauben.
6. Druckschraube aufschieben und vor dem Festziehen an Schlüsselfläche kontern.

(Bei Demontage zuerst Druckschraube öffnen)

1. Strip to 9mm length and remove cable jacket.
2. Mount sealing ring to clamp device to cable. Bead pressing screw and clamp device.
3. Strip the insulation off the wires (l = 3mm) and tin them.
4. Solder wires to solder cups.
5. Align locking unit, bear in mind direction of arrow, push forward and screw tightly.
6. Push pressing screw forward and secure them at flats.

(Before unmounting first open pressing screw.)

