

Product sheet

Miniature connector

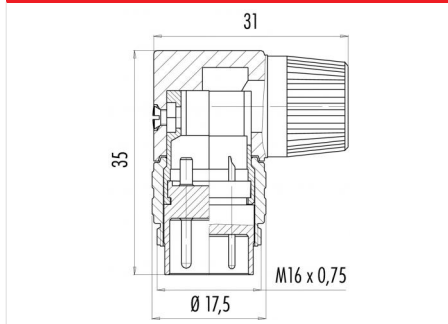


Product	Contacts: 4, Male angled connector, cable outlet 4 – 6 mm, plastic model	Area	M16 IP40 Series 682
Pole	4	Article number	09 0137 79 04

Illustration



Scale drawing



Contact Arrangement

	X	Y
1	3,32	-1,08
2	2,05	2,83
3	-2,05	2,83
4	-3,32	-1,08

You can find the item description on the next page.

Technical data

Common values

Connector Design	Male angled connector
Connector locking system	screw
Termination	Solder
Wire gauge (mm)	0.75 mm ²
Wire gauge (AWG)	20
Cable outlet	4 - 6 mm
Upper temperature	85 °C
Lower temperature	-40 °C

Electrical values

Rated voltage	250 V
Rated impulse voltage	1500 V
Pollution degree	1
Overvoltage category	I
Material group	III
Rated current (40°C)	6 A
Volume resistivity	≤ 3 mΩ
EMV compliance	not shielded
Degree of protection	IP40
Mechanical operation	> 500 mating cycles

Material

Material of contact	CuZn (Brass)
Contact plating	Au (Gold)
Material of contact body	PBT (UL 94 V-0)
Material of housing	PA (UL 94 HB)

Contacts: 4, Male angled connector, cable outlet 4 – 6 mm, plastic model, gold plated contacts

Product sheet
Miniature connector



Product	Contacts: 4, Male angled connector, cable outlet 4 – 6 mm, plastic model	Area	M16 IP40 Series 682
Pole	4	Article number	09 0137 79 04

Item description

