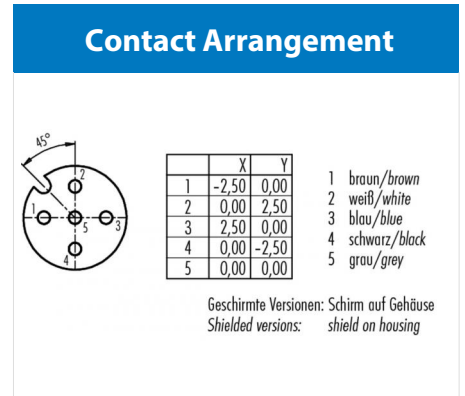
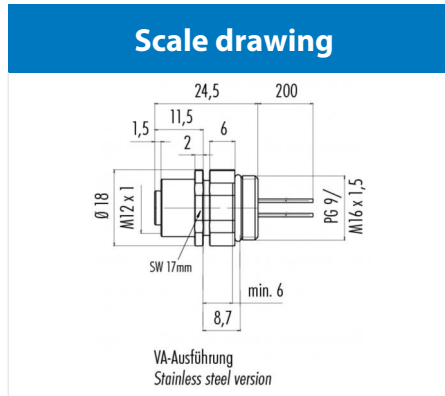


Product **Contacts: 5, Female panel mount connector, adjustable, with single wires, 0.25 mm<sup>2</sup>, PG 9 VA**  
 Area **M12-A Series 713/763**  
 Article number **76 2832 0111 00005-0200**



You can find the assembly instruction on the next page.

## Technical data

### General features

Connector Design female panel mount connector  
 Connector locking system bolted  
 Termination Strands  
 Wire gauge (mm) 0,25 mm<sup>2</sup>  
 Wire gauge (AWG) 24  
 Upper temperature 85 °C  
 Lower temperature -40 °C

### Electrical parameters

Rated voltage 125 V  
 Rated impulse voltage 1500 V  
 Pollution degree 3  
 Overvoltage category II  
 Material group II  
 Rated current (40°C) 4 A  
 Volume resistivity ≤ 3 mΩ  
 EMV compliance not shielded  
 Degree of protection IP68  
 Mechanical operation > 100 Mating cycles

### Material

Material of contact CuSn (Bronze)  
 Contact plating Au (gold)  
 Material of contact body PA

Product **Contacts: 5, Female panel mount connector, adjustable, with single wires, 0.25 mm<sup>2</sup>, PG 9 VA**

Area **M12-A Series 713/763**  
Article number **76 2832 0111 00005-0200**

### Installation instructions / Mounting cutout



Anzugsdrehmoment / *Tightening moment*  
6,25 Nm