

# Product sheet

## Miniature connector

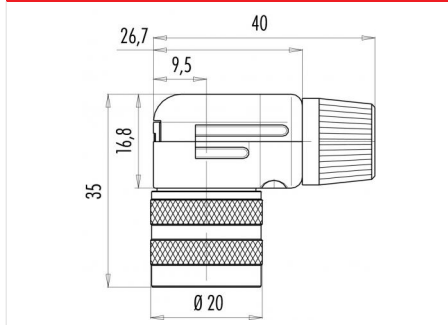


Product	<b>Contacts: 24, Female angled connector, cable outlet 6 - 8 mm, metal model, shieldable</b>	Area	<b>M16 IP40 Series 682</b>
Pole	<b>24</b>	Article number	<b>99 0166 12 24</b>

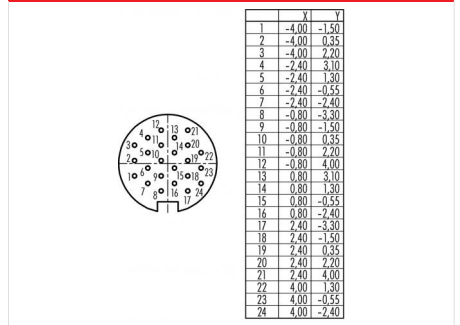
### Illustration



### Scale drawing



### Contact Arrangement



You can find the item description on the next page.

## Technical data

### Common values

Connector Design	Female angled connector
Connector locking system	screw
Termination	Solder
Wire gauge (mm)	0.14 mm <sup>2</sup>
Wire gauge (AWG)	26
Cable outlet	6 - 7.8 mm
Upper temperature	85 °C
Lower temperature	-40 °C

### Electrical values

Rated voltage	60 V
Rated impulse voltage	500 V
Pollution degree	1
Overvoltage category	I
Material group	III
Rated current (40°C)	1 A
Volume resistivity	≤ 3 mΩ
EMV compliance	shielded
Degree of protection	IP40
Mechanical operation	> 500 mating cycles

### Material

Material of contact	CuSn (Bronze)
Contact plating	Au (Gold)
Material of contact body	PBT (UL 94 V-0)
Material of housing	PA (UL 94 HB)

Contacts: 24, Female angled connector, cable outlet 6 - 8 mm, metal model, shieldable, gold plated contacts

Product	<b>Contacts: 24, Female angled connector, cable outlet 6 - 8 mm, metal model, shieldable</b>	Area	<b>M16 IP40 Series 682</b>
Pole	<b>24</b>	Article number	<b>99 0166 12 24</b>

**Item description**

