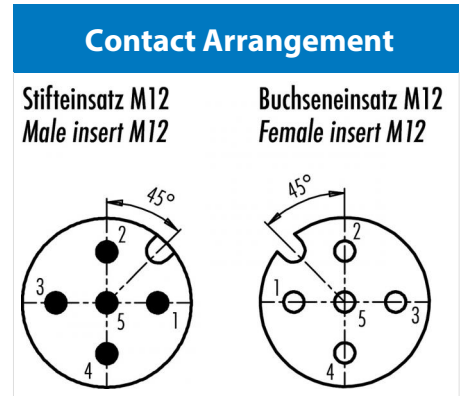
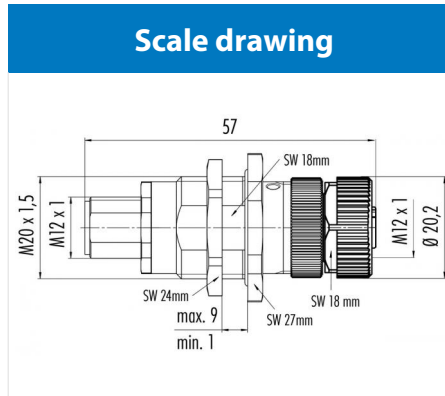


Product	Contacts 5: Adaptor, switch cabinet bushing, shielded, male connector M12 - female connector M12	Area	Connecting cords Series 765
Pole	5	Article number	09 5241 00 05



You can find the assembly instruction on the next page.

Technical data

Common values

Connector Design	Adaptor
Connector locking system	screw
Upper temperature	85 °C
Lower temperature	-25 °C

Electrical values

Rated voltage	60 V
Rated impulse voltage	1500 V
Pollution degree	3
Overvoltage category	II
Material group	III
Rated current (40°C)	4 A
Volume resistivity	≤ 3 mΩ
EMV compliance	not shielded
Degree of protection	IP67
Mechanical operation	> 100 mating cycles

Material

Material of contact	CuZn (Brass)
Contact plating	Au (Gold)
Material of contact body	PA (UL 94 HB)
Material of housing	Nickel-plated zinc die casting, nickel-plated brass

Contacts 5: Adaptor, switch cabinet bushing, shielded, male connector M12 - female connector M12

Product

**Contacts 5: Adaptor, switch cabinet
bushing, shielded, male connector M12 -
female connector M12**

Area
Article number

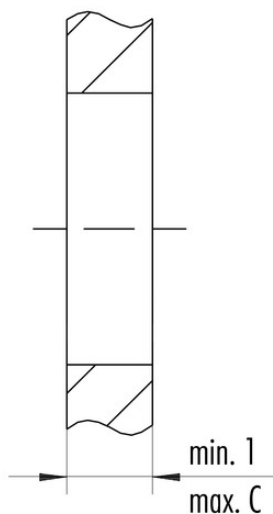
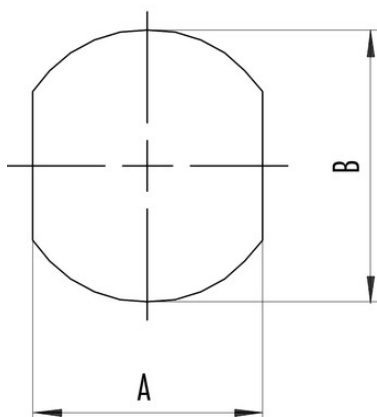
**Connecting cords Series 765
09 5241 00 05**

Pole

5

Installation instructions / Mounting cutout

Schaltschrankdurchführung mit Durchgangsbohrung
Lead-through for control cabinet with bore hole



	A	B	C
M8	13,5	16,1	12
M12	18,2	20,1	9