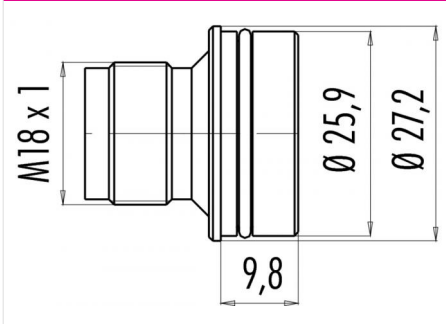


Product	<b>Contacts: 4, Adaptor plug, solder, transparent</b>	Area	<b>M18 Series 714</b>
Pole	<b>4</b>	Article number	<b>09 0443 50 04</b>

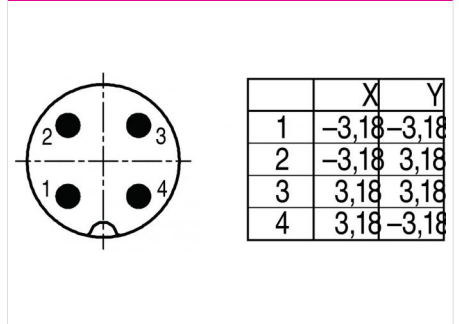
**Illustration**



**Scale drawing**



**Contact Arrangement**



You can find the assembly instruction on the next page.

**Technical data**

**Common values**

Connector Design	Adaptor plug
Connector locking system	screw
Termination	Solder
Wire gauge (mm)	1.50 mm <sup>2</sup>
Wire gauge (AWG)	16
Upper temperature	85 °C
Lower temperature	-25 °C

**Cable data**

material housing	-
Insulation single lead	-
Single lead structure	-
Conductor resistance	-
Bending radius cable fixed	-
Bending radius cable movable	-

**Electrical values**

Rated voltage	250 V
Rated impulse voltage	4000 V
Pollution degree	3
Overvoltage category	III
Material group	II
Rated current (40°C)	16 A/ CNR 5 A
Volume resistivity	≤ 8 mΩ
EMV compliance	-
Degree of protection	IP67
Mechanical operation	> 50 mating cycles

**Material**

Material of contact	CuZn (Brass)
Contact plating	CuSnZn (Optaloy)
Material of contact body	PA
Material of housing	PA

Contacts: 4, Adaptor plug, solder, transparent with socketing hole

Product

Contacts: 4, Adaptor plug, solder,  
transparent

Area

M18 Series 714

Pole

4

Article number

09 0443 50 04

Installation instructions / Mounting cutout

