

Product
Pole

Contacts: 4, Female angled connector, overmoulded, snap version, 8mm
4

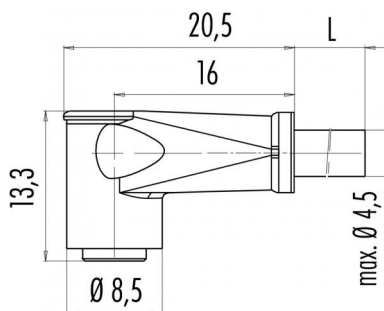
Area
Article number

M8 Series 718
79 3388 42 04

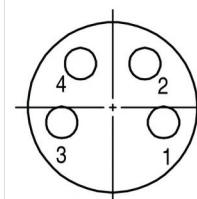
Illustration



Scale drawing



Contact Arrangement



- 1 braun/brown
- 2 weiß/white
- 3 blau/blue
- 4 schwarz/black

Technical data

Common values

Connector Design	Female angled connector
Connector locking system	Snap
Termination	crimp, injection-moulded cable
Wire gauge (mm)	0.25 mm ²
Wire gauge (AWG)	24
Cable outlet	-
Upper temperature	70 °C
Lower temperature	-25 °C

Cable data

material housing	PVC
Insulation single lead	PVC
Single lead structure	32 x 0.1
Cable sheath Ø	4.5
Conductor resistance	79.9Ω/Km
Temperature range cable movable c from	-5
Temperature range cable movable c to	70
Temperature range cable fixed c from	-15
Temperature range cable fixed c to	70
Bending radius cable fixed	min. 5 x D
Bending radius cable movable	min. 10 x D

Electrical values

Rated voltage	30 V
Rated impulse voltage	800 V
Pollution degree	3
Overvoltage category	II
Material group	II
Rated current (40°C)	4 A
Volume resistivity	≤ 3 mΩ
EMV compliance	nicht geschirmt
Degree of protection	IP65
Mechanical operation	> 50 mating cycles

Material

Material of contact	CuSn (Bronze)
Contact plating	Au (Gold)
Material of contact body	PUR
Material of housing	PUR

Contacts: 4, Cable length 2 m, cable: 4 x 0.25, PVC cable sheath, female angled connector, overmoulded, snap version, 8 mm