

Product sheet

Miniature connector



Product	Contacts: 4, Female cable connector, short version, CRIMP connection, cable outlet	Area	M16 IP67 Series 423
Pole	4	Article number	99 5110 740 04

Illustration	Scale drawing	Contact Arrangement															
		<table border="1" style="margin-left: 20px;"> <thead> <tr> <th></th> <th>X</th> <th>Y</th> </tr> </thead> <tbody> <tr> <td>1</td> <td>-3,32</td> <td>-1,08</td> </tr> <tr> <td>2</td> <td>-2,05</td> <td>2,83</td> </tr> <tr> <td>3</td> <td>2,05</td> <td>2,83</td> </tr> <tr> <td>4</td> <td>3,32</td> <td>-1,08</td> </tr> </tbody> </table>		X	Y	1	-3,32	-1,08	2	-2,05	2,83	3	2,05	2,83	4	3,32	-1,08
	X	Y															
1	-3,32	-1,08															
2	-2,05	2,83															
3	2,05	2,83															
4	3,32	-1,08															

You can find the item description and assembly instruction on the next page.

Technical data

Common values

Connector Design	Female cable connector
Connector locking system	screw
Termination	Crimp
Wire gauge (mm)	0.14 - 1.0 mm ²
Wire gauge (AWG)	26-18
Cable outlet	4 - 8 mm
Upper temperature	95 °C
Lower temperature	-40 °C

Electrical values

Rated voltage	250 V
Rated impulse voltage	1500 V
Pollution degree	1
Overvoltage category	I
Material group	III
Rated current (40°C)	6 A
Volume resistivity	≤ 3 mΩ
Degree of protection	IP67
Mechanical operation	> 500 mating cycles

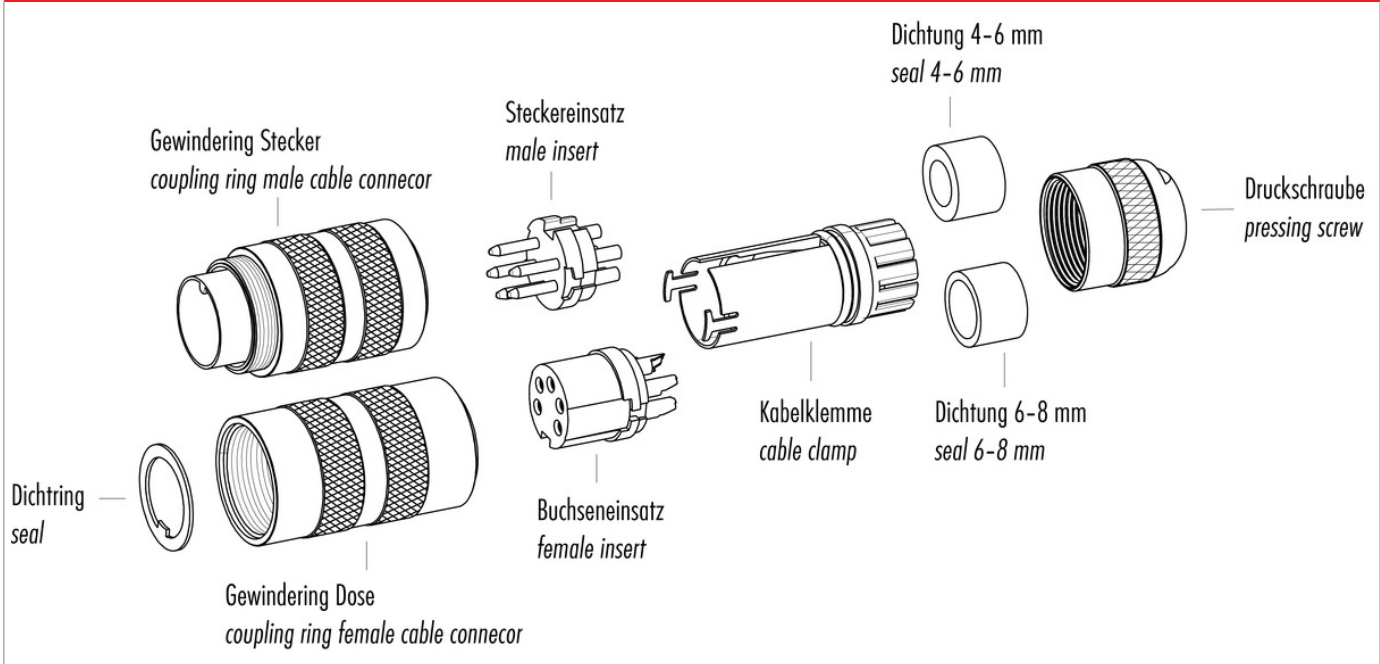
Material

Material of contact	CuSn (Bronze)
Contact plating	Au (Gold)
Material of contact body	PBT (UL 94 V-0)
Material of housing	CuZn (Brass nickel-plated)

Contacts: 4, Female cable connector, short version, CRIMP connection, cable outlet 4-8 mm

Product	Contacts: 4, Female cable connector, short version, CRIMP connection, cable outlet 4-8 mm	Area Article number	M16 IP67 Series 423 99 5110 740 04
Pole	4		

Item description



Installation instructions / Mounting cutout

