

Product 581/680/682: Solder eye ring  
Area M16 IP40

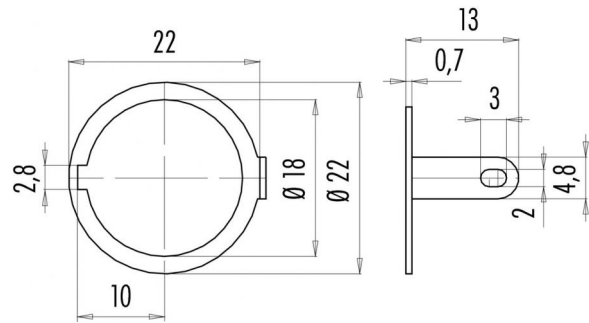
Article number 04 0183 009

Date: 2015-06-04 - Page 1 of 1

#### Illustration



#### Scale drawing



#### Matching products

- Male panel mount connector, solder
- Male panel mount connector, solder, screwed from front
- Male panel mount connector, dip-solder, screwed from front
- Female panel mount connector, solder, 2 - 8 contacts
- Female panel mount connector, solder, 12 - 19 contacts
- Female panel mount connector, solder, 24 contacts
- Female panel mount connector, solder, screwed from front, 2 - 8 contacts
- Female panel mount connector, solder, screwed from front, 12 - 19 contacts
- Female panel mount connector, solder, screwed from front, 24 contacts
- Female panel mount connector, dip-solder, screwed from front, 2 - 8 contacts
- Female panel mount connector, dip-solder, screwed from front, 12 - 19 contacts
- Female panel mount connector, dip-solder, screwed from front, 24 contacts