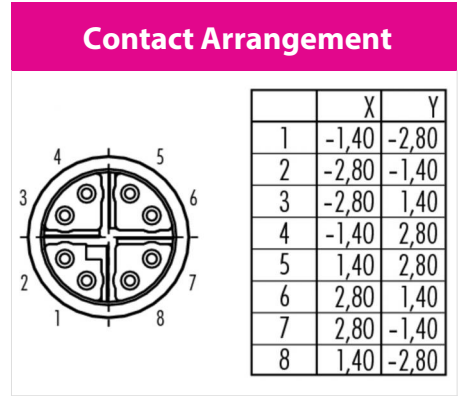
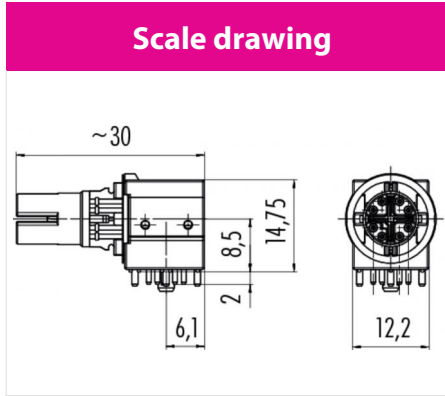
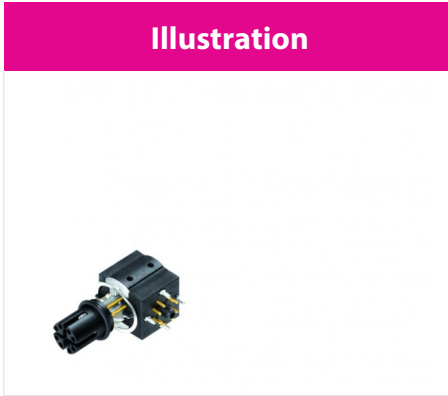


Product **Contacts 8: Contact insert with X-coding, dip-solder, for mounting in customer housing**
 Area **M12-D, M12-X Series 825/876 X-coding**
 Article number **09 3782 202 08**



You can find the assembly instruction on the next page.

Technical data

General features

Connector locking system bolted
 Termination dip-solder
 Upper temperature 85 °C
 Lower temperature -40 °C

Cable data

Approval 1 UL

Electrical parameters

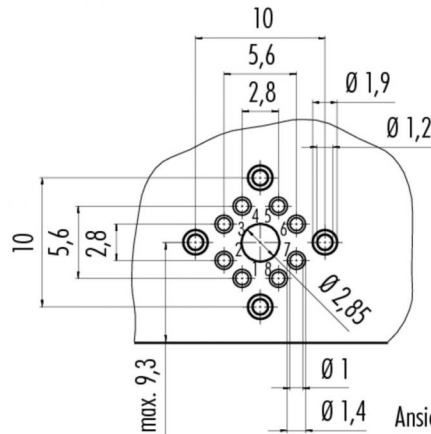
Rated voltage 50V AC, 60V DC V
 Pollution degree 3
 Overvoltage category II
 Material group III
 Rated current (40°C) 0,5 A
 Volume resistivity ≤ 10 mΩ
 EMV compliance shielded
 Degree of protection IP67
 Mechanical operation > 50 Mating cycles

Material

Material of contact CuSn (Bronze)
 Contact plating Au (gold)
 Material of contact body PA

Product	Contacts 8: Contact insert with X-coding, dip-solder, for mounting in customer housing
Area	M12-D, M12-X Series 825/876 X-coding
Article number	09 3782 202 08

Installation instructions / Mounting cutout



Ansicht Bestückungsseite
View of mating side

Leiterplattendicke: 1,6 mm
Alle Bohrungen (ausser \varnothing 2,85)
durchkontaktiert.
Cu 35/35

Thickness of PCB: 1,6 mm
All holes fully contacted
(except \varnothing 2,85).
CU 35/35