

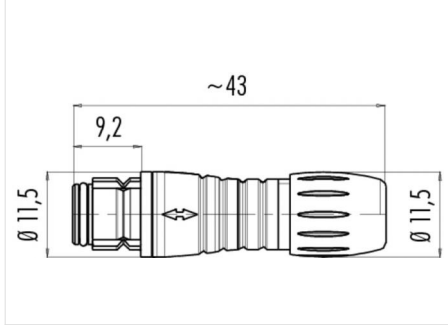
Product **Contacts: 8, female cable connector, blue**

Area **Snap-in IP67, subminiature Series**
 Article number **99 9226 460 08**

Illustration



Scale drawing



Contact Arrangement

	X	Y
1	-0,96	-1,98
2	-2,15	-0,49
3	-1,72	1,37
4	0,00	2,20
5	1,72	1,37
6	2,15	-0,49
7	0,96	-1,98
8	0,00	0,00

You can find the item description on the next page.

Technical data

General features

Connector Design Cable socket
 Connector locking system snap
 Termination solder
 Wire gauge (mm) 0,25 mm²
 Wire gauge (AWG) 24
 Cable outlet 3 - 5 mm
 Upper temperature 85 °C
 Lower temperature -25 °C

Electrical parameters

Rated voltage 63 V
 Rated impulse voltage 800 V
 Pollution degree 2
 Overvoltage category II
 Material group II
 Rated current (40°C) 1 A
 Volume resistivity ≤ 3 mΩ
 EMV compliance not shielded
 Degree of protection IP67

Material

Material of contact CuSn (Bronze)
 Contact plating Au (gold)
 Material of contact body PA (UL 94 V-0)

Product **Contacts: 8, female cable connector, blue**

Area **Snap-in IP67, subminiature Series**
Article number **99 9226 460 08**

Item description

