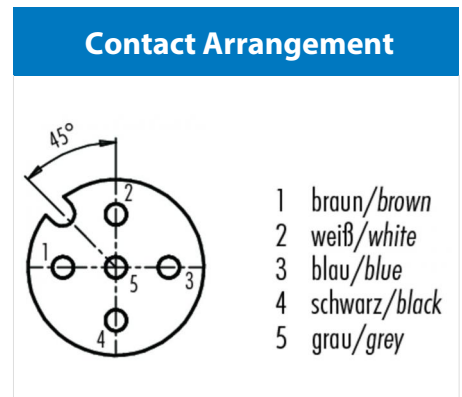
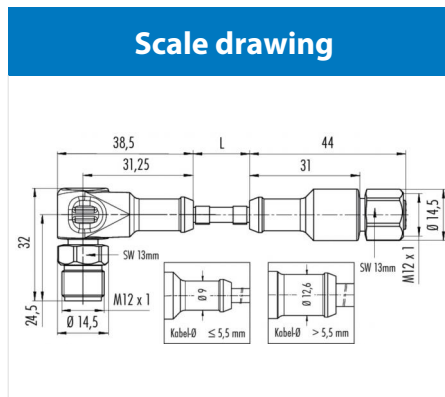


Product **connecting cable, overmoulded, F&B, stainless steel,PVC grey**  
 Area **M12-A Series 763 FOOD & BEVERAGE**  
 Article number **77 3730 3727 20405-0200**



## Technical data

### General features

Connector Design	Cable Connector
Connector locking system	screw
Termination	crimp, overmoulded on cable
Wire gauge (mm)	0,34
Wire gauge (AWG)	22
Upper temperature	105 °C
Lower temperature	-40 °C

### Cable data

material housing	PVC
Insulation single lead	PVC
Single lead structure	32 x 0,1
Cable sheath Ø	4.8
Conductor resistance	79 Ω/Km (20°C)
Temperature range cable movable °C from	-5
Temperature range cable movable °C to	105
Temperature range cable fixed °C from	-40
Temperature range cable fixed °C to	105
Bending radius cable fixed	min. 5 x D
Bending radius cable movable	min. 10 x D
Approval 1	UL listed
Approval 2	Ecolab

### Electrical parameters

Rated voltage	60 V
Rated impulse voltage	1500 V
Pollution degree	3
Overvoltage category	II
Material group	II
Rated current (40°C)	4 A
Volume resistivity	≤ 3 mΩ
EMV compliance	not shielded
Degree of protection	IP69K
Mechanical operation	> 100 Mating cycles

### Material

Material of contact	CuSn (Bronze)
Contact plating	Au (gold)
Material of contact body	PP
Material of housing	PP